

FELLOW®

# STAGG EKG PRO

Electric Pour-Over Kettle

SAFETY AND MAINTENANCE

SÉCURITÉ ET ENTRETIEN

SEGURIDAD Y MANTENIMIENTO

SICHERHEIT UND WARTUNG

SICUREZZA E MANUTENZIONE

SIKKERHED OG VEDLIGEHOLDELSE

SIKKERHET OG VEDLIKEHOLD

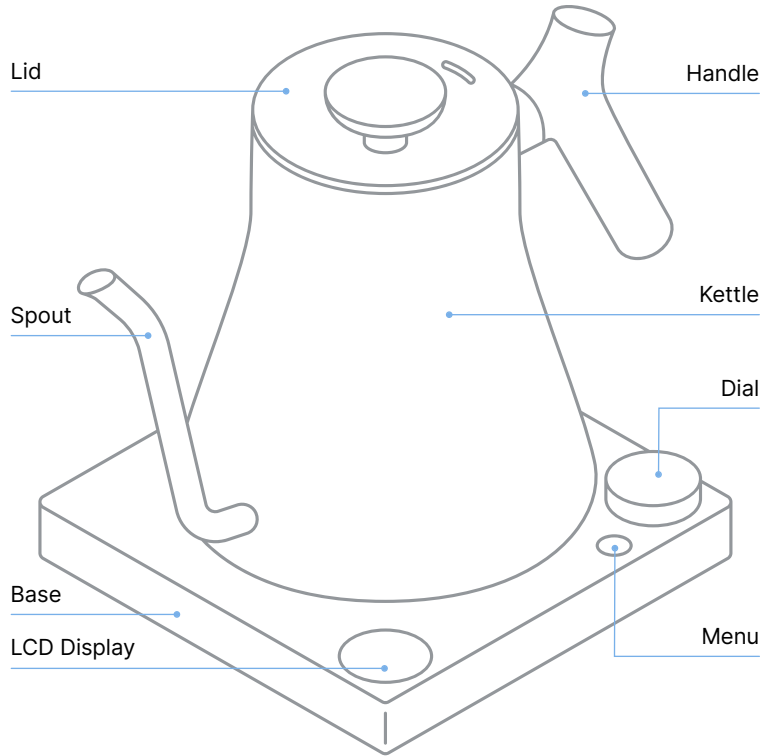
SÄKERHET OCH SKÖTSEL

TURVALLISUUS JA KUNNOSSAPITO

BEZPIECZEŃSTWO I KONSERWACJA

GÜVENLİK VE BAKI

Diagram A: Product Diagram



# STAGG EKG PRO

Fellow Industries Inc.

Fellowproducts.com

Email: [hello@fellowproducts.com](mailto:hello@fellowproducts.com)

San Francisco, CA 94110

**Product Name:** Stagg EKG Pro Electric Pour-Over Kettle

US Patents & Patents Pending: [fellowproducts.com/pages/patents](https://fellowproducts.com/pages/patents)

2-Year Limited Warranty | Designed in San Francisco, Made in China

MODEL	SPECIFICATIONS
EP20AAEU	220V-240V   50Hz   1200W-1428W <b>Weight:</b> 1250 g (includes kettle base) <b>Dimensions (LxWxH):</b> 282 mm x 172 mm x 196 mm <b>Capacity:</b> 0.9 L



Do not discard as unsorted waste. To be sent to separate collection facilities for recovery and recycling.

Hereby, Fellow Industries Inc. declares that the radio equipment type, product with an Embedded Wi/Fi Bluetooth Module, is in compliance with Directive 2014/53/EU. Model EKG PRO EP20AAEU.

The full text of the EU declaration of conformity is available at the following internet address:

[fellowproducts.com/pages/eu-declaration-of-conformity](https://fellowproducts.com/pages/eu-declaration-of-conformity)

**FOR HOUSEHOLD USE ONLY**

More info at [Fellowproducts.com/pages/gear-guides](https://fellowproducts.com/pages/gear-guides)

**READ AND FOLLOW ALL INSTRUCTIONS. KEEP THIS SAFETY AND MAINTENANCE MANUAL FOR FUTURE REFERENCE.**

**WARNING!**

**Shock Hazard:** This appliance has a grounded, three-pronged plug. To ensure protection against risk of electric shock or fire, connect to properly grounded outlets only. The plug fits only one way into an outlet. Do not defeat the safety purpose of the plug by modifying the plug in any way or using an adapter. Do not plug this appliance into an outlet with a voltage other than specified on the bottom of this appliance.

Do not use an adapter with this appliance.

A short power supply cord is provided to reduce the risk of becoming entangled in or tripping over a longer cord. To avoid an electrical circuit overload, do not use any high wattage appliance on the same circuit with this appliance.

## **IMPORTANT SAFEGUARDS**

**Before use, please read these safety warnings carefully and use the product (Diagram A) properly. These safety warnings are indicated for the safe and proper use of this product to prevent danger to the user or others and damage to property.**

**When using electrical appliances, basic safety precautions should always be followed, including the following:**

- Stagg EKG Pro's electric base is small and the kettle's body looks strikingly similar to our stovetop kettle but make no mistake, they are not the same! This is an electric kettle that CANNOT be used on a stove.
- Do not place on or near a hot gas burner or electric burner, in a heated oven, or in a microwave.
- Do not touch the hot surfaces of the product. Use the handle at all times.
- To protect against fire, electric shock, and injury to persons, do not immerse cord, plug, or any other part of the kettle or base in water or other liquid.
- No part of Stagg EKG Pro is dishwasher safe. Do not put Stagg EKG Pro or any parts of Stagg EKG Pro in the dishwasher.
- Never leave Stagg EKG Pro unattended while in use or in Hold mode.
- Close supervision is necessary when any appliance is used by or near children.
- Do not use it within a child's reach.
- This appliance is not intended for use by persons (including children) with reduced physical, sensory, or mental capabilities, or lack of experience and knowledge.
- Children should be supervised to ensure that they do not play with the appliance.
- Unplug from outlet when not in use for extended periods of time and before cleaning.

## IMPORTANT SAFEGUARDS CONTINUED

- Allow to cool before putting on or taking off parts and before cleaning the appliance.
- To disconnect from power source, press the dial to switch “OFF” and then remove plug from outlet. Do not pull on the cord itself as it may damage the cord and eventually cause electric shock.
- Do not operate Stagg EKG Pro with a damaged cord or plug, if the kettle malfunctions, or if the product has been damaged in any manner. Return appliance to the nearest authorized service facility for examination, repair, or adjustment.
- Ensure that your main supply voltage is the same as that marked on the underside of your kettle.
- To avoid an electrical overload, do not operate another high-wattage appliance on the same circuit.
- The use of accessory attachments not recommended by Fellow may result in fire, electric shock, or injury to persons.
- Do not use outdoors.

### **WARNING! TO PREVENT SCALDING:**

Never use the kettle without its lid.

Do not remove the lid while the kettle is boiling.

Scalding may occur if the lid is removed during the heating and brewing process.

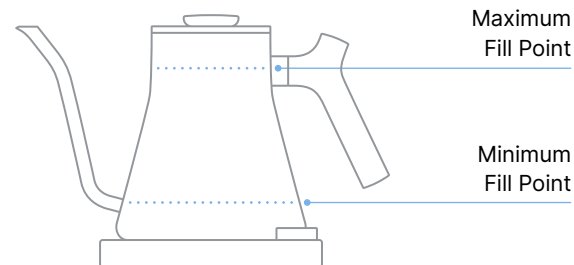
Be aware of steam being emitted from the spout or lid especially during refilling.

Water can remain hot for a long time after boiling and can present a scalding hazard. Keep the kettle and the kettle base away from the edge of the work surface and out of the reach of children. Do not remove the lid until the kettle cools down.

**WARNING: Do not fill above the Maximum Fill Point as displayed in the diagram below.**

If the kettle is overfilled, hot water may be expelled, increasing the risk for scalding. See Diagram B, below, for reference. We suggest using only the amount of water you need to conserve water and energy.

**Diagram B:**  
**Fill Points**



**WARNING: Do not operate dry or below the Minimum Fill Point.**

Stagg EKG Pro must have a minimum of 333 ml/11 fL oz to function. Dry boiling the kettle may result in permanent damage to the kettle and potential fire. The Minimum Fill Point is 1 inch (2.54 cm) above the floor of the kettle. See Diagram B, above, for reference.

## IMPORTANT SAFEGUARDS CONTINUED

- Do not place any utensils into the kettle.
- After unpacking kettle, dispose of all plastic bags to ensure children and others cannot reach them.
- Do not let cord hang over the edge of the table or counter or touch hot surfaces. Do not use an extension cord.
- Remove the kettle from the kettle base before filling. Remove all moisture on the bottom of the kettle before placing it onto the kettle base.
- Kettle must be operated on a flat surface away from the edge of the counter to prevent accidental tipping.
- Never move the kettle and kettle base together while the unit is in use.
- To avoid burns and risk of personal injury, use extreme caution when carrying the kettle containing hot water.
- Do not use the kettle if your hands are wet.
- Position the kettle properly on the kettle base before switching on.
- After using the kettle, wait until the kettle has cooled down before removing the lid. To avoid possible steam damage, turn spout away from walls or cabinets during use.
- If setting down the kettle body on a table surface, use a protective pad under the kettle after it has been heated to prevent damage to surfaces.
- To reduce the risk of fire or electric shock, do not remove bottom cover from base or disassemble base or kettle in any way. There are no user-serviceable parts inside. Repair should be done by authorized service personnel only. Opening base or kettle will result in a void of the warranty.
- Do not operate in the presence of explosive and/or flammable fumes.
- Do not use the kettle for other than intended use. This appliance is intended for household and commercial use only. Use for anything other than intended use will void the warranty.

### IMPORTANT!

Use the kettle only with the delivered kettle base provided by Fellow. Do not use any other kettle on the delivered base, or any other base with the delivered kettle unless specifically provided and advised by Fellow.

Stagg EKG Pro's base and kettle are not compatible with the base or kettle of Stagg EKG, Stagg EKG+, Corvo EKG, or Stagg Pour-Over Kettle.

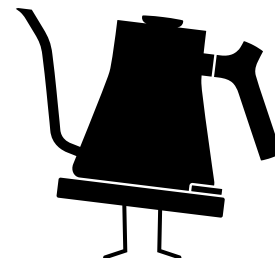
### GROUNDING PLUG

This appliance has a grounded, three-prong plug and must be grounded with a three-prong outlet when in use. To ensure protection against risk of electric shock or fire, connect to properly grounded outlets only. Do not attempt to bypass this safety feature.

### DO NOT HEAT AN EMPTY KETTLE

The concealed heating element in the bottom of the kettle body is protected by an automatic safety device. If your kettle is accidentally heated without being filled or is allowed to boil dry, it will automatically cool down and then turn off. If this happens, unplug the kettle, fill with cold water, and wait a few minutes before replacing it on the base and plugging in.

**SAVE THESE  
INSTRUCTIONS**

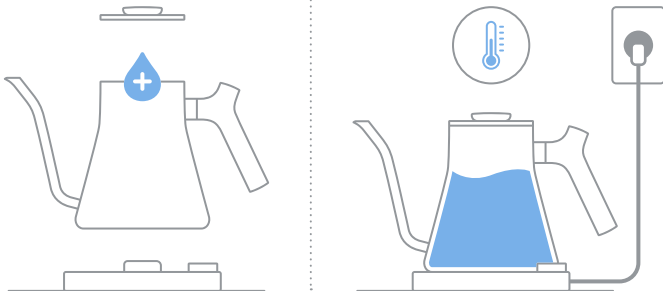


# INITIAL USE

## CLEANING – FIRST TIME USE

1. Place Stagg EKG Pro's base and kettle on a flat, level surface.
2. Remove kettle from the base and remove the lid to add water. (Do not remove the lid if the lid is hot.)
3. Rinse the interior of the kettle, then add water to the kettle until approximately halfway full (between the Minimum Fill Point and Maximum Fill Point in Diagram B).
4. After adding water, insert lid and ensure spout is not close to and/or facing a wall or cabinet.
5. Following the safety guidelines, plug the power-supply cord into wall outlet.
6. Set Goal temperature (see High Altitude Chart) to boil water.
7. Once Goal temperature (see High Altitude Chart) is reached, continue to boil water for approximately one minute. Turn off the kettle with a quick press of the dial. The LCD screen will turn black.
8. Discard the water inside the kettle. This water should not be consumed. Your Stagg EKG Pro is now ready to use.

**Diagram C: Initial Use**



## CLEANING

Before cleaning, ensure the base is unplugged and the kettle has cooled completely. Empty any remaining water from the kettle.

**CAUTION: Never immerse the kettle in water or other liquids. The could cause permanent damage to the kettle.**

Do not place any parts of the kettle in a dishwasher.

Wipe the exterior of the kettle and base with a damp cloth or sponge, then dry. Do not use abrasive soaps, cleansers, or scouring pads on any part of the kettle as it may damage the finish.

Over time, the kettle may lose the ability to reach boiling temperature. This may be due to scaling and mineral deposits which can build up on the inside of the kettle depending on your use and the hardness of water in your area. When this happens, use a scale/lime remover, following the scale/lime remover manufacturer's directions.

## STORAGE

Clean and dry all parts before storing. Store the kettle in its box or in a clean, dry place.

Never wrap the power-supply cord around the kettle.

# HOW TO USE

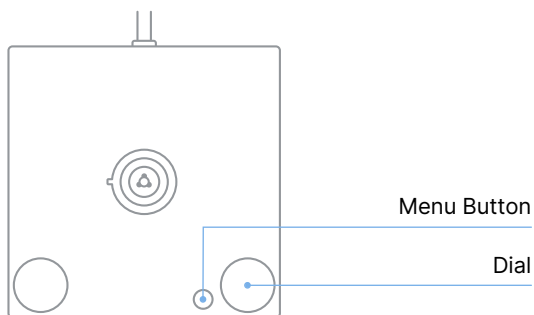
Please read this entire Safety and Maintenance manual fully before turning on and using your kettle.

## CONNECT STAGG EKG PRO TO WIFI

**THE FELLOW APP IS REQUIRED FOR CONNECTIVITY. STAGG EKG PRO DOES NOT CONNECT AUTOMATICALLY TO WIFI.**

1. Download the Fellow app onto your phone at [Fellowproducts.com/app](https://Fellowproducts.com/app).
2. Ensure Stagg EKG Pro is plugged into an outlet.
3. Ensure Stagg EKG Pro is in an area with good WiFi coverage.
4. Know your WiFi network name and WiFi network password.
5. Open the Fellow app and follow the instructions in the app to connect.
6. From here, you can control your Stagg EKG Pro from the app
7. For more information or troubleshooting your WiFi connection, please head to [Fellowproducts.com/staggekgpromanual](https://Fellowproducts.com/staggekgpromanual).

**Diagram D:  
ON/OFF,  
Menu Access**



## TURN KETTLE ON/OFF

To turn Stagg EKG Pro on, press the menu button OR the dial and wait for the screen to light up. To turn Stagg EKG Pro off, press the dial and wait for the screen to turn black.

## SET GOAL TEMPERATURE

From the main screen when Stagg EKG Pro is powered on, turn the dial to change the goal temperature. Turn the dial clockwise to increase the goal temperature. Turn the dial counterclockwise to decrease the goal temperature.

Once you arrive at your desired temperature, stop turning the dial. Stagg EKG Pro will display the set temperature for a moment and then begin heating to the desired temperature. If the kettle is ever removed and set back on the base, the kettle will start heating to your goal temperature right away.

**IMPORTANT:** If Pre-Boil is enabled, the kettle will first heat to boiling before cooling down to your goal temperature.

## MENU ACCESS

Stagg EKG Pro has a host of brew tools. To enter the menu:

1. Press the dial to turn on your kettle and start warming-up water. The LCD screen will light up.
2. Press the menu button to navigate to the main menu.
3. Once within the main menu, rotate the dial clockwise or counterclockwise to navigate between the available menu options. Press the dial to enter or validate a choice.
4. Press the menu button to leave the menu.
5. Press the dial to turn off your kettle. The LCD screen will turn black.

To see more details on the menu please visit [Fellowproducts.com/staggekgpromanual](https://Fellowproducts.com/staggekgpromanual) or scan this QR Code.



## HIGH ALTITUDE USE

**CAUTION:** Water boils at lower temperatures in higher altitudes (see High Altitude Chart below). If the Set temperature is higher than the boiling point of water at a given altitude, Stagg EKG Pro will continue to provide heat to attempt to reach the Goal temperature. This causes excess energy usage and potential damage to the kettle.

Using the **Altitude** setting, Stagg EKG Pro will determine the maximum allowable target temperature based on the user-input altitude to mitigate energy waste and risk of kettle damage.

**HIGH ALTITUDE CHART**

Altitude	Boiling Point Of Water
0 m	100°C
150 m	99.5°C
305 m	99°C
610 m	98°C
1524 m	95°C
1829 m	94°C
2438 m	91.9°C
3048 m	89.8°C
3658 m	87.6°C
4267 m	85.5°C

## SERVICE

For service or any questions regarding your appliance, first visit [Fellowproducts.com/staggekgpromanual](https://Fellowproducts.com/staggekgpromanual). If you still have questions, reach out to us at [Help.fellowproducts.com](mailto:Help.fellowproducts.com).

Do NOT mail the product back to the manufacturer or bring it to a service center without first talking to a Fellow customer service representative.

### 2-YEAR LIMITED WARRANTY

Fellow warrants this product against any defects that are due to faulty material or workmanship for a two-year period after the original date of consumer purchase.

**This warranty is valid only for:**

- The original consumer.
- Kettles purchased through authorized retailers.
- Kettles with the original sales receipt for proof of purchase.

**This warranty does not include damage to the product resulting from:**

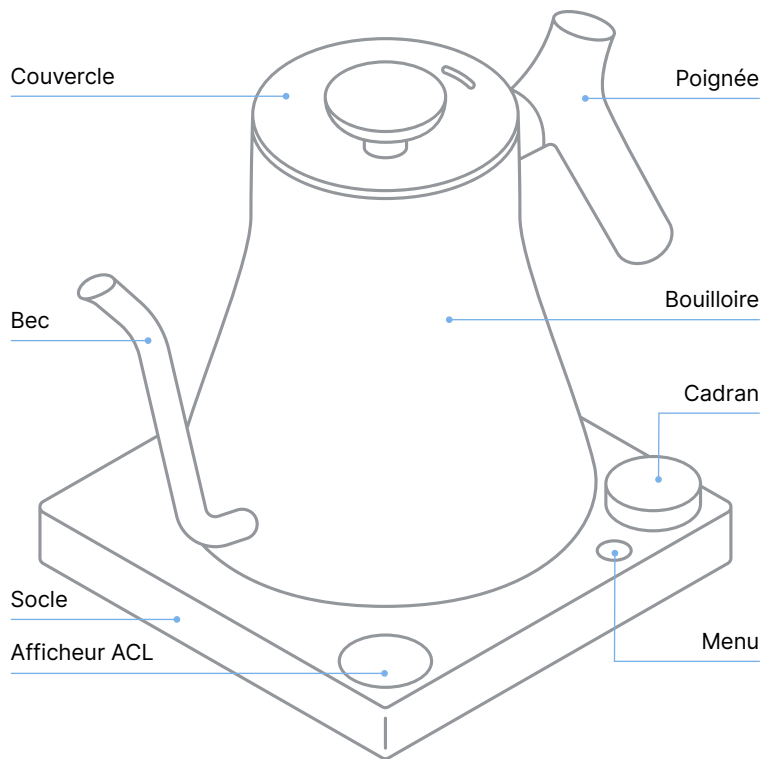
- Accident, misuse, or repairs performed by unauthorized personnel.
- Operation with the wrong type of current or voltage.
- Failure to follow cleaning instructions for both the kettle and cleaning/descaling agents.
- Failure to comply with any safeguards listed in the warnings and instructions of this document.

If the product should become defective within the warranty period, or you have questions regarding warranty or service, email us at [hello@fellowproducts.com](mailto:hello@fellowproducts.com).

Find more information at:  
[Fellowproducts.com/staggekgpromanual](https://Fellowproducts.com/staggekgpromanual)



Diagramme A : Diagramme du produit



# STAGG EKG PRO

Fellow Industries Inc.

Fellowproducts.com

Courriel : [hello@fellowproducts.com](mailto:hello@fellowproducts.com)

San Francisco, CA 94110

**Nom du produit :** Bouilloire électrique intelligente Stagg EKG Pro

Brevets américains et brevets en instance:

[fellowproducts.com/pages/patents](https://fellowproducts.com/pages/patents) | Garantie limitée de deux (2) ans

Conçue à San Francisco, fabriquée en Chine

MODÈLE	CARACTÉRISTIQUES TECHNIQUES
EP20AAEU	110 à environ 120 V / 1000 à 1200 W / 50 à 60 Hz <b>Poids :</b> 1250 g (socle de la bouilloire compris) <b>Dimensions (LxlxH) :</b> 282 mm x 172 mm x 196 mm <b>Capacité :</b> 0,9 L



Ne pas jeter en tant que déchet non trié.

À envoyer dans un centre de collecte dédié à la récupération et au recyclage.

Par la présente, Fellow Industries Inc. déclare que ce type d'équipement radio utilisant un module Bluetooth Wi/Fi intégré est conforme à la directive 2014/53/UE. Modèl EKG PRO EP20AAEU

Le texte intégral de la déclaration de conformité à l'UE est disponible à l'adresse internet suivante :

[fellowproducts.com/pages/eu-declaration-of-conformity](https://fellowproducts.com/pages/eu-declaration-of-conformity)

**À USAGE DOMESTIQUE UNIQUEMENT**

Plus d'information sur [Fellowproducts.com/pages/gear-guides](https://fellowproducts.com/pages/gear-guides)

**Lire et suivre toutes les instructions. Conserver ce manuel sur la sécurité et l'entretien aux fins de consultation ultérieure.**

### **ATTENTION!**

**Danger de choc électrique :** Cet appareil est muni d'une fiche à trois broches avec terre. Pour assurer la protection contre le risque de choc électrique ou d'incendie, l'appareil doit être branché uniquement à une prise correctement mise à la terre. La fiche ne s'engage que dans un sens dans la prise. Ne pas compromettre la fonction de sécurité de la fiche en la modifiant de quelque façon que ce soit ou en utilisant un adaptateur. Ne pas brancher cet appareil dans une prise dont la tension est différente de celle qui est spécifiée sur la base de cet appareil.

Ne pas utiliser d'adaptateur avec cet appareil.

Le cordon d'alimentation qui est fourni est court pour réduire le risque d'étranglement ou de trébuchement que présente un cordon plus long. Pour éviter une surcharge du circuit électrique, ne pas utiliser d'appareil de puissance élevée sur le même circuit que cet appareil.

## **MESURES DE PROTECTION IMPORTANTES**

**Avant d'utiliser le produit, lire attentivement les consignes de sécurité, puis utiliser le produit (diagramme A) correctement. Ces consignes de sécurité sont fournies pour assurer une utilisation sûre et appropriée du produit afin de ne pas exposer l'utilisateur ni personne d'autre à des dangers ou endommager des biens.**

**Lors de l'utilisation d'appareils électriques, les mesures de sécurité élémentaires devraient toujours être respectées, et les considérations suivantes devaient être prises en compte :**

- Le socle électrique de l'appareil Stagg EKG Pro est de petite taille et le corps de la bouilloire ressemble étonnamment à notre bouilloire pour cuisinière, mais attention, il s'agit de deux modèles distincts! Ce modèle-ci est une bouilloire électrique qui NE PEUT PAS être utilisée sur une cuisinière.
- Ne pas la placer sur un brûleur à gaz ou un brûleur électrique chaud, ou à proximité ni dans un four chaud ou un four micro-ondes.
- Ne pas toucher les surfaces du produit lorsqu'elles sont chaudes. Toujours utiliser la poignée.
- Pour assurer la protection contre le feu, les chocs électriques et ne blesser personne, ne pas immerger le cordon, la fiche ou aucune autre partie de la bouilloire, ni le socle, dans de l'eau ou autre liquide.
- Aucune partie de la bouilloire Stagg EKG Pro n'est lavable en machine. Ne pas mettre la bouilloire Stagg EKG Pro ni aucune de ses parties dans le lave-vaisselle. Ne jamais laisser la Stagg EKG Pro sans surveillance alors qu'elle est en fonctionnement ou en mode de veille.
- Ne jamais laisser la Stagg EKG Pro sans surveillance alors qu'elle est en fonctionnement ou en mode de veille.

## MESURE DE PROTECTION IMPORTANTES (SUITE)

- Une surveillance étroite doit être exercée lorsque la bouilloire est utilisée par des enfants ou proximité d'enfants. Ne pas l'utiliser à portée des enfants.
- Cet appareil n'est pas conçu pour être utilisé par des personnes (y compris par des enfants) ayant un handicap physique, mental ou sensoriel, ou par des personnes qui n'en ont pas l'expérience ou qui ne connaissent pas ce type de produit.
- Les enfants doivent être surveillés afin de s'assurer qu'ils ne jouent pas avec la bouilloire.
- La débrancher de la prise lorsqu'elle n'est pas utilisée pendant des périodes prolongées et avant de la nettoyer.
- Laisser refroidir la bouilloire avant d'en détacher ou d'y rattacher les différentes parties et de la nettoyer.
- Pour débrancher la bouilloire de la source d'alimentation électrique, appuyer sur le cadran pour éteindre la bouilloire; retirer ensuite la fiche de la prise. Ne pas tirer sur le cordon car cela pourrait l'endommager, voire causer un choc électrique.

### ATTENTION! POUR ÉVITER L'ÉBOUILLANTAGE :

Ne jamais utiliser la bouilloire sans son couvercle.

Ne pas retirer le couvercle alors que de l'eau bout dans la bouilloire.

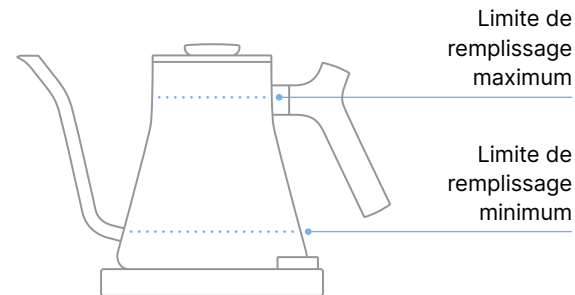
Un ébouillantage peut se produire si le couvercle est enlevé pendant le processus de chauffage ou d'infusion. Attention à la vapeur émise par le bec ou le couvercle, tout particulièrement pendant le remplissage.

L'eau peut demeurer très chaude pendant un long moment après l'ébullition et présenter un danger d'ébouillantage. Maintenir la bouilloire et son socle éloignés du bord du plan de travail et hors de portée des enfants. Ne pas retirer le couvercle tant que la bouilloire n'a pas refroidi.

### AVERTISSEMENT : Ne pas remplir la bouilloire au-dessus de la limite de remplissage maximum.

Si la bouilloire est trop remplie, de l'eau très chaude pourrait s'en échapper et accroître le risque d'ébouillantage. Voir le diagramme B ci-dessous aux fins de référence. Nous recommandons de n'utiliser que la quantité d'eau nécessaire afin d'économiser l'eau et l'énergie.

#### Diagramme B : Limites de remplissage



### AVERTISSEMENT : Ne pas faire fonctionner la bouilloire vide ou au-dessous de la limite de remplissage minimum.

La bouilloire Stagg EKG Pro doit contenir un minimum de 333 ml (11 onces liquides) pour fonctionner. L'assèchement de la bouilloire peut causer des dommages irréparables et un risque d'incendie. La limite de remplissage minimum est à 2,54 cm (1 po) au-dessus de la base de la bouilloire. Voir le diagramme B ci-dessus aux fins de référence.

## MESURE DE PROTECTION IMPORTANTES (SUITE)

- Ne pas faire fonctionner la Stagg EKG Pro si le cordon ou la fiche sont endommagés, si la bouilloire ne fonctionne pas correctement ou si elle a été endommagée de quelque façon que ce soit. Retourner la bouilloire au centre de service après-vente autorisé le plus proche pour la faire examiner, réparer ou régler.
- S'assurer que la tension d'alimentation principale est la même que celle qui est marquée sur la base de la bouilloire.
- Pour éviter une surcharge électrique, ne pas utiliser d'appareil de puissance élevée sur le même circuit.
- L'utilisation d'accessoires non recommandés par Fellow pourrait entraîner des risques d'incendie, de choc électrique ou de blessure personnelle.
- Ne pas utiliser l'appareil à l'extérieur.
- Ne placer aucun ustensile dans la bouilloire.
- Après le déballage de la bouilloire, jeter tous les sacs en plastique afin de s'assurer qu'ils sont hors de portée des enfants.
- Ne pas laisser pendre le cordon par-dessus le rebord d'un plan de travail ou d'une table, ni entrer en contact avec des surfaces chaudes. Ne pas utiliser de rallonge.
- Retirer la bouilloire de son socle avant de la remplir. Retirer toute l'humidité de la base de la bouilloire avant de la placer sur son socle.
- La bouilloire doit être utilisée sur une surface plane à l'écart du bord d'un plan de travail pour éviter qu'elle se renverse.
- Ne jamais déplacer la bouilloire et son socle ensemble alors qu'elle est en fonctionnement.
- Pour éviter les brûlures et les risques de blessure, faire preuve d'une extrême prudence lors du transport de la bouilloire alors remplie d'eau chaude.

### IMPORTANT!

N'utiliser la bouilloire qu'avec le socle fourni par Fellow. N'utiliser aucune autre bouilloire sur le socle fourni, ou aucun autre socle avec la bouilloire fournie, sauf si cela a été expressément approuvé et conseillé par Fellow.

Le socle et la bouilloire Stagg EKG Pro ne sont pas compatibles avec le socle ou la bouilloire des produits suivants : Stagg EKG, Stagg EKG+, Corvo EKG, ou la bouilloire Stagg à col de cygne.

- Ne pas utiliser la bouilloire avec les mains mouillées.
- Placer la bouilloire correctement sur le socle avant de l'allumer.
- Après avoir utilisé la bouilloire, patienter jusqu'à ce qu'elle refroidisse avant de retirer le couvercle. Pour éviter des dommages potentiels causés par la vapeur, tourner le bec à l'écart des murs et des armoires durant le fonctionnement.
- Si le corps de la bouilloire repose sur une table, placer un coussinet de protection sous la bouilloire après qu'elle a chauffé pour éviter d'endommager le dessus de la table.
- Pour réduire le risque d'incendie ou de choc électrique, ne pas retirer le couvercle du socle, ou ne pas démonter le socle ou la bouilloire de quelque façon que ce soit. Il n'y a aucune pièce réparable à l'intérieur. Les réparations devraient être effectuées uniquement par du personnel de service après-vente autorisé. L'ouverture du socle ou le démontage de la bouilloire entraînera la résiliation de la garantie.
- Ne pas utiliser la bouilloire en présence d'explosifs ou d'émanations inflammables.
- Ne pas utiliser la bouilloire à d'autres fins que celle pour laquelle elle a été conçue. Cet appareil est uniquement destiné à un usage ménager et commercial. Son utilisation à une autre fin annulera la garantie.

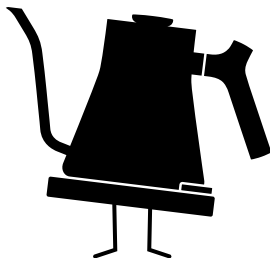
## FICHE AVEC TERRE

Cet appareil est muni d'une fiche à trois broches avec terre et doit être mise à la terre avec une prise à trois broches lorsqu'elle est utilisée. Pour assurer la protection contre le risque de choc électrique ou d'incendie, l'appareil doit être branché uniquement à une prise correctement mise à la terre. Ne pas essayer de contourner cette fonction de sécurité.

## NE PAS FAIRE CHAUFFER UNE BOUILLIÈRE VIDE

L'élément chauffant dissimulé dans la base du corps de la bouilloire est protégé par un dispositif de sécurité automatique. Si la bouilloire est chauffée accidentellement sans être remplie ou si on la laisse bouillir à sec, elle se refroidira automatiquement puis s'éteindra. Si cela se produit, débrancher la bouilloire, la remplir d'eau froide et patienter quelques minutes avant de la remettre sur le socle et de la brancher.

CONSERVER CES  
INSTRUCTIONS

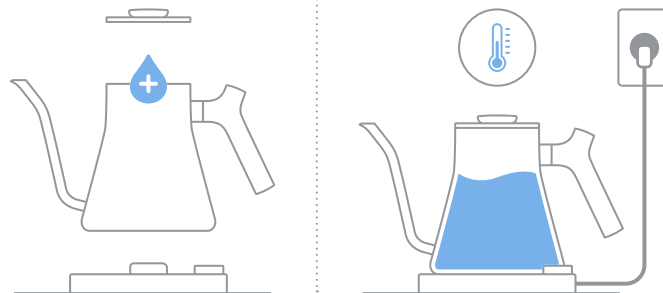


## PREMIÈRE UTILISATION

### NETTOYAGE – PREMIÈRE UTILISATION

1. Placer le socle de la Stagg EKG Pro sur une surface plate et de niveau.
2. Soulever la bouilloire de son socle et retirer le couvercle pour la remplir d'eau. (Ne pas retirer le couvercle s'il est chaud.)
3. Rincer l'intérieur de la bouilloire et la remplir environ à moitié (à l'intérieur des limites de remplissage minimum et maximum illustrées au diagramme B).
4. Après avoir ajouté de l'eau, insérer le couvercle et s'assurer que le bec n'est pas proche d'un mur ou d'une armoire ou n'y fait pas face.
5. En suivant les consignes de sécurité, brancher le cordon d'alimentation électrique dans la prise.
6. Régler la température cible (voir le Tableau des températures en haute altitude) pour faire bouillir l'eau.
7. Une fois que la température cible (voir le Tableau des températures en haute altitude) est atteinte, continuer à faire bouillir l'eau pendant environ une minute. Éteindre la bouilloire en appuyant sur le cadran. L'écran à cristaux liquides devient noir.

### Diagramme C : Première Utilisation



8. Jeter l'eau qui se trouve à l'intérieur de la bouilloire. Cette eau ne devrait pas être utilisée. La bouilloire Stagg EKG Pro est maintenant prête à être utilisée.

### **NETTOYAGE**

Avant de la nettoyer, s'assurer que le socle est débranché et que la bouilloire a complètement refroidi. Vider toute l'eau restante de la bouilloire.

**ATTENTION : Ne jamais immerger la bouilloire dans de l'eau ou n'importe quel autre liquide. Cela pourrait endommager la bouilloire de façon permanente.**

Ne placer aucune partie de la bouilloire dans le lave-vaisselle.

Essuyer l'extérieur de la bouilloire et le socle avec un chiffon humide ou une éponge, puis sécher. Ne pas utiliser de savon ou de produits nettoyants abrasifs ni de tampons à récurer sur une quelconque partie de la bouilloire car cela endommagerait le fini.

Cela pourrait être dû aux dépôts de tartre et de minéraux qui peuvent s'accumuler à l'intérieur de la bouilloire en fonction de l'utilisation et de la dureté de l'eau dans la région de l'utilisateur. Lorsque cela se produit, utiliser un produit antitartre ou pour la chaux en suivant les instructions du fabricant de ces produits.

### **ENTREPOSAGE**

Nettoyer et sécher toutes les parties de la bouilloire avant de l'entreposer. Entreposer la bouilloire dans sa boîte ou dans un endroit propre et sec.

Ne jamais enrouler le cordon d'alimentation électrique autour de la bouilloire.

## **UTILISATION**

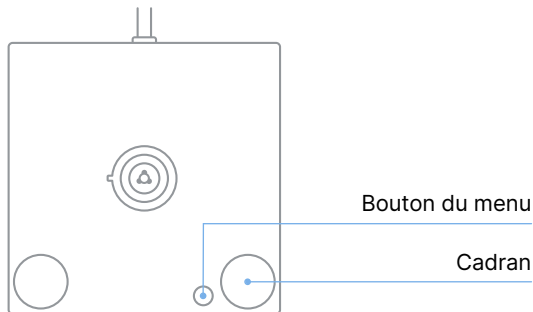
Lire le présent manuel « Sécurité et entretien » dans son intégralité avant d'allumer la bouilloire.

### **CONNECTER LA STAGG EKG PRO AU RÉSEAU WI-FI**

**L'application Fellow est requise pour la connectivité. La Stagg EKG Pro ne se connecte pas automatiquement au réseau Wi-Fi.**

1. Téléchargez l'application Fellow sur votre téléphone à l'adresse [Fellowproducts.com/app](https://Fellowproducts.com/app).
2. Assurez-vous que la Stagg EKG Pro est branchée à une prise de courant.
3. Assurez-vous que la Stagg EKG Pro se trouve dans une zone bien desservie par le réseau Wi-Fi.
4. Vous devez connaître le nom de votre réseau Wi-Fi et le mot de passe pour y accéder.
5. Ouvrez l'appli Fellow et suivez les instructions de l'appli pour vous connecter.
6. De là, vous pouvez contrôler votre Stagg EKG Pro depuis l'appli.
7. Pour plus d'informations ou pour dépanner votre connexion Wifi, rendez-vous sur [Fellowproducts.com/staggkpgromanual](https://Fellowproducts.com/staggkpgromanual).

**Diagramme D :**  
**Allumer/éteindre,**  
**accès au menu**



**ALLUMER OU ÉTEINDRE LA BOUILLIOIRE**

Pour allumer la Stagg EKG Pro, appuyer sur le bouton du menu OU sur le cadran, et patienter jusqu'à ce que l'écran s'allume. Pour éteindre la Stagg EKG Pro, appuyer sur le cadran jusqu'à ce que l'écran devienne noir.

**RÉGLER LA TEMPÉRATURE VOULUE**

De l'écran principal, alors que la Stagg EKG Pro est sous tension, tournez le cadran pour changer la température cible. Tournez le cadran dans le sens des aiguilles d'une montre pour augmenter la température cible. Tournez le cadran dans le sens contraire des aiguilles d'une montre pour baisser la température cible.

Lorsque vous avez atteint la température cible, arrêtez de tourner le cadran. La Stagg EKG Pro affichera la température réglée pendant un instant, puis se mettra à chauffer jusqu'à ce qu'elle soit atteinte. Si la bouilloire est retirée puis replacée sur la base, elle commence à chauffer tout de suite à votre température cible.

**IMPORTANT :** Si la fonction Pre-Boil est activée, la bouilloire commence à chauffer au point d'ébullition avant de refroidir au niveau de votre température cible.

**ACCÈS AU MENU**

La Stagg EKG Pro est munie de plusieurs outils d'infusion. Pour accéder au menu :

1. Appuyer sur le cadran pour allumer la bouilloire et commencer à chauffer l'eau. L'écran à cristaux liquides s'allume.
2. Appuyez sur le bouton du menu pour naviguer jusqu'au menu principal.
3. Du menu principal, faire tourner le cadran dans le sens des aiguilles d'une montre ou inversement pour naviguer parmi les options de menu disponibles. Appuyez sur le cadran pour entrer ou valider un choix.
4. Appuyez sur le bouton du menu pour quitter le menu.
5. Appuyez sur le cadran pour éteindre la bouilloire. L'écran à cristaux liquides devient noir.

Pour obtenir plus de détails sur le menu, consulter [Fellowproducts.com/staggekgpromanual](http://Fellowproducts.com/staggekgpromanual) ou numériser le code QR suivant.



## UTILISATION EN HAUTE ALTITUDE

ATTENTION : En plus haute altitude, l'eau bout à des températures plus basses (voir le Tableau des températures en haute altitude ci-dessous). Si, à une certaine altitude, la température réglée est plus élevée que le point d'ébullition de l'eau, la Stagg EKG Pro continuera à générer de la chaleur pour essayer d'atteindre la température cible. Cela augmente la consommation d'énergie et peut endommager la bouilloire.

À l'aide du réglage Altitude, la Stagg EKG Pro déterminera la température cible maximale qui est atteignable à l'altitude saisie par l'utilisateur, afin d'atténuer le gaspillage d'énergie et le risque d'endommagement de la bouilloire.

**TABLEAU DES TEMPÉRATURES EN HAUTE ALTITUDE**

Altitude	Boiling Point Of Water
0 m	100°C
150 m	99.5°C
305 m	99°C
610 m	98°C
1524 m	95°C
1829 m	94°C
2438 m	91.9°C
3048 m	89.8°C
3658 m	87.6°C
4267 m	85.5°C

## SERVICE À LA CLIENTÈLE

Pour le service après-vente ou toute question sur l'appareil, consulter tout d'abord [Fellowproducts.com/staggekgpromanual](http://Fellowproducts.com/staggekgpromanual). Si des questions subsistent, communiquer avec nous à [Help.fellowproducts.com](mailto:Help.fellowproducts.com).

Ne PAS retourner le produit au fabricant par la poste ni l'apporter dans un centre de service après-vente sans avoir parlé au préalable à un représentant du service à la clientèle de Fellow.

### GARANTIE LIMITÉE DE DEUX (2) ANS

Fellow garantit ce produit contre tout défaillance due à un défaut de matériau ou de fabrication, pendant une période de deux ans à partir de la date initiale d'achat par le consommateur.

#### Cette garantie est valide pour :

- le consommateur d'origine;
- les bouilloires achetées auprès des distributeurs autorisés;
- les bouilloires accompagnées du reçu original prouvant l'achat.

#### Cette garantie ne couvre pas les dommages du produit résultant des événements suivants :

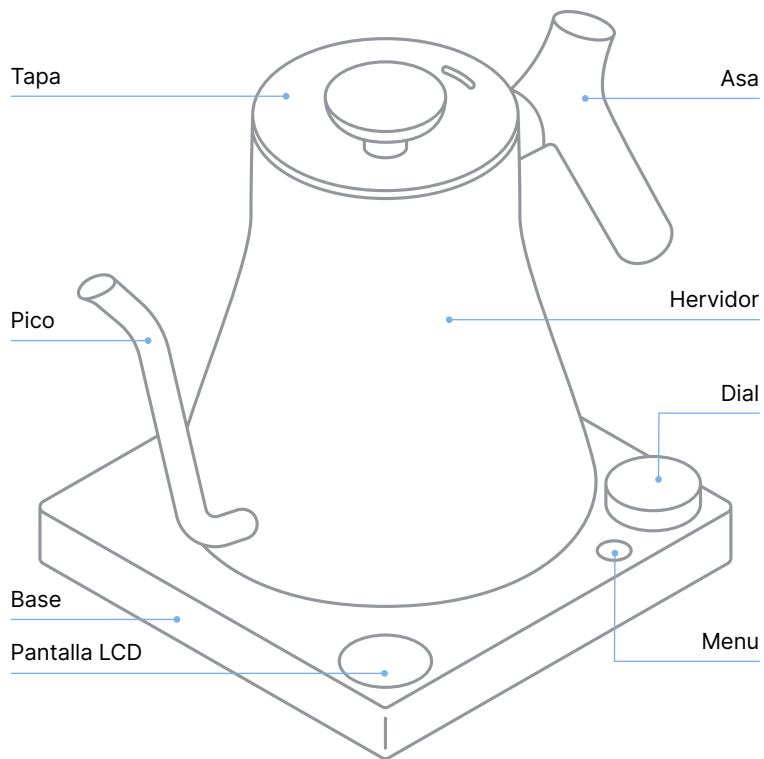
- accident, utilisation inappropriée ou réparations effectuées par du personnel non autorisé;
- utilisation avec le type inadéquat de courant ou de tension;
- non-respect des instructions relatives au nettoyage de la bouilloire ou des recommandations sur les produits de nettoyage et antitartre;
- non-respect d'une quelconque consigne de sécurité citée dans les avertissements et les instructions contenus dans ce document.

Si le produit devient défectueux pendant la période de garantie ou pour toute question sur la garantie ou le service après-vente, envoyez-nous un courriel à [hello@fellowproducts.com](mailto:hello@fellowproducts.com).

Pour de plus amples renseignements :  
[Fellowproducts.com/staggekgpromanual](http://Fellowproducts.com/staggekgpromanual)



Diagrama A: Diagrama del producto



# STAGG EKG PRO

Fellow Industries Inc.

Fellowproducts.com

Correo electrónico: [hello@fellowproducts.com](mailto:hello@fellowproducts.com)

San Francisco, CA 94110

**Nombre del producto:** Hervidor eléctrico de carga manual superior Stagg EKG Pro | Patentes estadounidenses y patentes pendientes: [fellowproducts.com/pages/patents](https://fellowproducts.com/pages/patents) | Garantía limitada de 2 años | Diseñado en San Francisco, hecho en China

MODELO	ESPECIFICACIONES
EP20AAEU	220V-240V   50Hz   1200W-1428W <b>Peso:</b> 1250 g (incluye la base del hervidor) <b>Dimensiones (LxAxA):</b> 282 mm x 172 mm x 196 mm <b>Capacidad:</b> 0,9 L



No deseché como residuo sin clasificar.  
Hay que enviarlo a puntos limpios de recogida seleccionadas para su recuperación y reciclado.

Por la presente, Fellow Industries Inc. declara que el tipo de equipo radioeléctrico, producto con módulo Bluetooth Wi/Fi incorporado, cumple la directiva 2014/53/EU. Modelo EKG PRO EP20AAEU

El texto completo de la declaración UE de conformidad está disponible en la dirección de Internet siguiente:  
[fellowproducts.com/pages/eu-declaration-of-conformity](https://fellowproducts.com/pages/eu-declaration-of-conformity)

**SOLO PARA USO DOMÉSTICO**

Más información en [Fellowproducts.com/pages/gear-guides](https://Fellowproducts.com/pages/gear-guides)

**LEA Y SIGA TODAS LAS INSTRUCCIONES.  
CONSERVE ESTE MANUAL DE SEGURIDAD Y MANTENIMIENTO  
PARA CONSULTAS FUTURAS.**

**ADVERTENCIA**

Riesgo de descarga eléctrica: Este electrodoméstico tiene un enchufe de tres clavijas con conexión a tierra. Para garantizar la protección contra el riesgo de descarga eléctrica o incendio, conéctelo únicamente a tomas de corriente adecuadamente conectadas a tierra. El enchufe solo se conecta de una manera en una toma de corriente. No anule el propósito de seguridad del enchufe modificando el enchufe de ninguna manera o utilizando un adaptador. No enchufe este aparato en una toma de corriente con un voltaje que no sea el especificado en la parte inferior de este aparato.

No utilice un adaptador con este aparato.

Se proporciona un cable de alimentación corto para reducir el riesgo de que el cable se enrede o de que el usuario se tropiece. Para evitar una sobrecarga del circuito eléctrico, no utilice ningún aparato de mucha potencia en el mismo circuito con este artefacto.

## **MEDIDAS DE SEGURIDAD IMPORTANTES**

**Antes de usar, lea atentamente estas advertencias de seguridad y use el producto (Diagrama A) correctamente. Estas advertencias de seguridad están indicadas para el uso seguro y adecuado de este producto de modo que se eviten peligros para el usuario u otros y daños materiales.**

**Al utilizar aparatos eléctricos, siempre se deben seguir las precauciones básicas de seguridad, incluidas las siguientes:**

- La base eléctrica del hervidor Stagg EKG Pro es pequeña y el cuerpo del hervidor es sorprendentemente similar a nuestro hervidor para cocina, pero no se equivoque, ¡no son lo mismo! Este es un hervidor eléctrico que NO SE PUEDE usar en una cocina
- No lo coloque sobre o cerca de un quemador de gas o eléctrico caliente, en un horno caliente o en un microondas.
- No toque las superficies calientes del producto. Utilice el asa en todo momento.
- Para protegerse contra incendios, descargas eléctricas y lesiones a personas, no sumerja el cable, enchufe o cualquier otra pieza del hervidor o la base en agua u otro líquido.
- Ninguna pieza del hervidor Stagg EKG Pro es apta para lavaplatos. No coloque el hervidor Stagg EKG Pro ni ninguna de sus piezas en el lavaplatos.
- Nunca deje el hervidor Stagg EKG Pro sin supervisión mientras esté en uso o en modo de espera.
- En caso de uso por parte de niños o cerca de ellos, se requiere estricta vigilancia. No lo use dentro del alcance de un niño.
- Este aparato no está diseñado para ser utilizado por personas (incluidos niños) con capacidades físicas, sensoriales o mentales reducidas o con falta de experiencia y conocimiento.
- Debe supervisarse a los niños para asegurarse de que no jueguen con el aparato.
- Desenchúfelo de la toma de corriente cuando no esté en uso durante períodos prolongados de tiempo y antes de limpiarlo.
- Deje que se enfríe antes de poner o quitar piezas y antes de limpiar el aparato.
- Para desconectarlo de la fuente de alimentación, presione el dial para apagar (OFF) y luego retire el enchufe de la toma de corriente. No jale del cable ya que puede dañarlo y eventualmente provocar una descarga eléctrica.

## MEDIDAS DE SEGURIDAD IMPORTANTES CONT.

- No opere el hervidor Stagg EKG Pro con un cable o enchufe dañado, si el hervidor funciona mal o si el producto ha sufrido cualquier tipo de daño. Devuelva el aparato al centro de servicio autorizado más cercano para que lo examinen, reparen o realicen ajustes.
- Asegúrese de que el voltaje de alimentación principal sea el mismo que el marcado en la parte inferior del hervidor.
- Para evitar una sobrecarga eléctrica, no opere otro artefacto de mucha potencia en el mismo circuito.
- El uso de accesorios no recomendados por Fellow puede provocar incendios, descargas eléctricas o lesiones a las personas.
- No lo use al aire libre.
- No coloque ningún utensilio en el hervidor.
- Después de desempacar el hervidor, deseche todas las bolsas de plástico para asegurarse de que los niños u otros no puedan llegar a ellas. asegurarse de que los niños y otras personas no puedan alcanzarlas.

### ADVERTENCIA PARA EVITAR QUEMADURAS:

Nunca use el hervidor sin la tapa.

No retire la tapa mientras el agua del hervidor está en ebullición.

Se pueden producir quemaduras si se retira la tapa durante el proceso de calentamiento y preparación de infusiones. Tenga en cuenta que se emite vapor desde el pico o la tapa, especialmente durante el llenado.

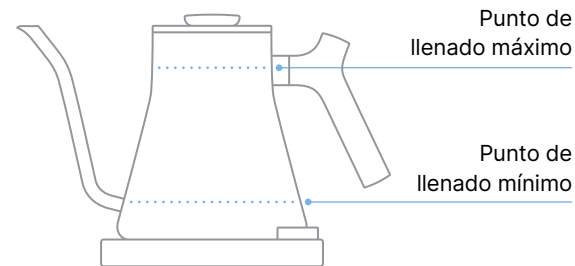
El agua puede permanecer caliente durante mucho tiempo después de la ebullición y puede presentar un peligro de quemaduras.

Mantenga el hervidor y la base del hervidor lejos del borde de la superficie de trabajo y fuera del alcance de los niños. No retire la tapa hasta que el hervidor se enfríe.

**ADVERTENCIA: No llene por encima del punto de llenado máximo como se muestra en el diagrama a continuación.**

Si el hervidor se llena en exceso, puede expulsar agua caliente y así aumentar el riesgo de quemaduras. Véase el Diagrama B, a continuación, como referencia. Sugerimos usar solo la cantidad de agua que necesita para ahorrar agua y energía.

### Diagrama B: Puntos de llenado



**ADVERTENCIA: No opere en seco o por debajo del punto de llenado mínimo.**

El hervidor Stagg EKG Pro debe tener un mínimo de 333 ml/11 fl oz para funcionar. La ebullición en seco del hervidor puede provocar daños permanentes en el hervidor y un posible incendio. El punto de llenado mínimo es de 1 pulgada (2,54 cm) por encima del piso del hervidor. Véase el Diagrama B, más arriba, para referencia.

## MEDIDAS DE SEGURIDAD IMPORTANTES CONT.

- No deje que el cable cuelgue del borde de la mesa o mostrador ni que esté en contacto con superficies calientes. No use un alargador.
- Retire el hervidor de la base antes de llenar. Retire toda la humedad en la parte inferior del hervidor antes de colocarlo nuevamente en la base.
- El hervidor debe funcionar sobre una superficie plana lejos del borde del mostrador para evitar que se vuelque accidentalmente.
- Nunca mueva el hervidor y la base del hervidor juntos mientras la unidad está en uso.
- Para evitar quemaduras y el riesgo de lesiones físicas, tenga extrema precaución al trasladar el hervidor con agua caliente en su interior.
- No use el hervidor si tiene las manos mojadas.
- Coloque el hervidor correctamente en la base del hervidor antes de encenderlo.
- Después de usar el hervidor, espere hasta que el hervidor se haya enfriado antes de retirar la tapa. Para evitar posibles daños con el vapor, aleje el pico de paredes o armarios durante el uso.
- Si coloca el cuerpo del hervidor sobre la superficie de una mesa, use una almohadilla protectora debajo del hervidor después de que se haya calentado para evitar daños en las superficies.
- Para reducir el riesgo de incendio o descarga eléctrica, no retire la cubierta inferior de la base ni desmonte la base o el hervidor de ninguna manera. No hay piezas que puedan ser reparadas por el usuario en el interior. La reparación debe estar únicamente a cargo de personal de servicio autorizado. La apertura de la base o del hervidor provocará la anulación de la garantía de dos años.
- No opere en presencia de humos explosivos y/o inflamables.
- No use el hervidor para fines distintos de los previstos. Este aparato está diseñado únicamente para uso doméstico y comercial. El uso para cualquier otro fin que no sea el previsto anulará la garantía de dos años.

### IMPORTANTE

Utilice el hervidor solo con la base del hervidor suministrada por Fellow. No use ningún otro hervidor con la base entregada o cualquier otra base con el hervidor entregado a menos que Fellow lo proporcione o aconseje específicamente.

La base y el hervidor de Stagg EKG Pro no son compatibles con la base o el hervidor de Stagg EKG, Stagg EKG+, Corvo EKG o el hervidor eléctrico de carga manual superior Stagg.

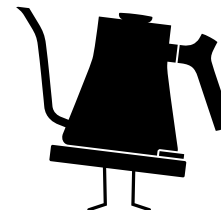
### ENCHUFE CON CONEXIÓN A TIERRA

Este aparato tiene un enchufe de tres clavijas con conexión a tierra y debe conectarse a tierra con una toma de tres clavijas cuando esté en uso. Para garantizar la protección contra el riesgo de descarga eléctrica o incendio, conéctelo únicamente a tomas de corriente adecuadamente conectadas a tierra. No intente eludir esta función de seguridad.

### NO CALENTAR UN HERVIDOR VACÍO

El elemento calentador oculto en la parte inferior del cuerpo del hervidor está protegido por un dispositivo de seguridad automático. Si el hervidor se calienta accidentalmente sin haberse llenado previamente o se deja hervir en seco, se enfriará automáticamente y luego se apagará. Si esto sucede, desenchufe el hervidor, llénelo con agua fría y espere unos minutos antes de volver a colocarlo en la base y enchufarlo.

**GUARDE ESTAS  
INSTRUCCIONES**



# USO INICIAL

## LIMPIEZA – PRIMER USO

1. Coloque la base y el hervidor Stagg EKG Pro en una superficie plana y nivelada.
2. Retire el hervidor de la base y retire la tapa para agregar agua. (No retire la tapa si está caliente.)
3. Enjuague el interior del hervidor, luego agregue agua al hervidor hasta aproximadamente la mitad (entre el punto de llenado mínimo y el punto de llenado máximo conforme se indica en el Diagrama B).
4. Después de agregar agua, inserte la tapa y asegúrese de que el pico no esté cerca y/o frente a una pared o armario.
5. Siguiendo las normas de seguridad, conecte el cable de alimentación a la toma de corriente.
6. Ajuste la temperatura objetivo (consulte la Tabla de altitud) para que hierva el agua.
7. Una vez alcanzada la temperatura objetivo (consulte la Tabla de altitud), continúe hirviendo el agua durante aproximadamente un minuto. Apague el hervidor con una pulsación rápida en el dial. La pantalla LCD se pondrá negra.
8. Deseche el agua que se encuentra dentro del hervidor. Esta agua no debe consumirse. El hervidor Stagg EKG Pro ya está listo para usar.

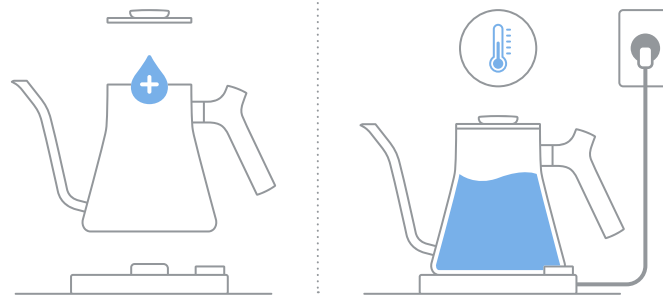
## LIMPIEZA

Antes de limpiar, asegúrese de que la base esté desenchufada y de que el hervidor se haya enfriado por completo. Vacíe el agua que queda en el hervidor.

**PRECAUCIÓN:** Nunca sumerja el hervidor en agua u otros líquidos. Esto podría provocar daños permanentes en el hervidor.

No coloque ninguna de las piezas del hervidor en el lavaplatos.

## Diagrama C: Uso inicial



Limpie el exterior del hervidor y la base con un paño o esponja húmedos, luego seque. No use jabones, limpiadores o estropajos abrasivos en ninguna pieza del hervidor, ya que pueden dañar el acabado.

Esto puede deberse a la descamación y a los depósitos minerales que pueden acumularse en el interior del hervidor, según el uso que le da y la dureza del agua en su área. Cuando esto suceda, utilice un eliminador de sarro/cal siguiendo las instrucciones del fabricante del eliminador de sarro/cal.

## ALMACENAMIENTO

Limpie y seque todas las piezas antes de guardarlas. Guarde el hervidor en la caja o en un lugar limpio y seco.

Nunca envuelva el cable de alimentación alrededor del hervidor.

## MODO DE USO

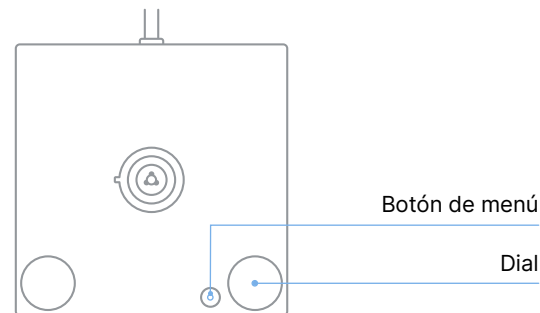
Lea todo este manual de seguridad y mantenimiento antes de encender y usar el hervidor.

### CONECTAR EL HERVIDOR STAGG EKG PRO A LA RED WIFI

**NECESITA LA APLICACIÓN FELLOW PARA CONECTARLO. EL HERVIDOR STAGG EKG PRO NO SE CONECTA AUTOMÁTICAMENTE A LA RED WIFI.**

1. Descargue la aplicación Fellow en su teléfono en [Fellowproducts.com/app](https://fellowproducts.com/app).
2. Asegúrese de que el hervidor Stagg EKG Pro esté enchufado a una toma de corriente.
3. Asegúrese de que el hervidor Stagg EKG Pro esté en un área con buena cobertura de wifi. Conozca el nombre y la contraseña de su red wifi.
4. Debe saber el nombre y contraseña de su red wifi.
5. Abra la aplicación Fellow y siga las instrucciones en la aplicación para conectarse.
6. A partir de aquí, puede controlar su Stagg EKG Pro desde la aplicación.
7. Para más información o para solucionar problemas de conexión a la red wifi, visite [Fellowproducts.com/staggekgpromanual](https://fellowproducts.com/staggekgpromanual).

**Diagrama D: ON/OFF, Acceso a Menú**



### ENCENDER/APAGAR EL HERVIDOR

Para encender el hervidor Stagg EKG Pro, pulse el botón de menú o el dial y espere a que la pantalla se ilumine. Para apagar el hervidor Stagg EKG Pro, presione el dial y espere a que la pantalla se ponga negra.

### AJUSTAR LA TEMPERATURA OBJETIVO

Desde la pantalla principal, cuando el hervidor Stagg EKG Pro esté encendido, gire el dial para cambiar la temperatura objetivo. Gire el dial en el sentido de las agujas del reloj para aumentar la temperatura objetivo. Gire el dial en sentido contrario al de las agujas del reloj para reducir la temperatura objetivo.

Una vez que llegue a la temperatura deseada, deje de girar el dial. El hervidor Stagg EKG Pro mostrará la temperatura establecida por un momento y luego comenzará a calentar hasta la temperatura deseada. Si alguna vez se retira el hervidor y se vuelve a colocar en la base, el hervidor comenzará a calentarse a la temperatura objetivo de inmediato.

**IMPORTANTE:** Si la función Pre-Boil (Hervir previamente) está habilitada, el hervidor primero calentará hasta la ebullición y luego enfriará para alcanzar la temperatura objetivo.

## ACCESO AL MENÚ

El hervidor Stagg EKG Pro tiene una gran cantidad de herramientas para hacer infusiones. Para ingresar al menú:

1. Presione el dial para encender el hervidor y comenzar a calentar el agua. La pantalla LCD se encenderá.
2. Pulse el botón de menú para navegar hasta el menú principal.
3. Una vez dentro del menú principal, gire el dial en el sentido de las agujas del reloj o en sentido contrario para navegar entre las opciones de menú disponibles. Presione el dial para ingresar o validar una opción.
4. Pulse el botón de menú para abandonar el menú.
5. Presione el dial para apagar el hervidor. La pantalla LCD se pondrá negra.

Para ver más detalles en el menú, visite [Fellowproducts.com/staggekgpromanual](http://Fellowproducts.com/staggekgpromanual) o escanee este código QR.



## USO A GRAN ALTITUD

**PRECAUCIÓN:** El agua hierve a temperaturas más bajas en altitudes más elevadas (consulte la Tabla de altitud a continuación). Si la temperatura establecida es mayor que el punto de ebullición del agua a una altitud determinada, el hervidor Stagg EKG Pro continuará proporcionando calor para intentar alcanzar la temperatura objetivo. Esto provoca un consumo excesivo de energía y daños potenciales al hervidor.

Usando la configuración de **Altitud**, el hervidor Stagg EKG Pro determinará la temperatura máxima permitida en función de la altitud ingresada por el usuario para mitigar el desperdicio de energía y el riesgo de daños al hervidor. desperdicio de energía y el riesgo de daños en la tetera.

**TABLA DE ALTITUD**

Altitud	Punto de ebullición del agua
0 m	100°C
150 m	99.5°C
305 m	99°C
610 m	98°C
1524 m	95°C
1829 m	94°C
2438 m	91.9°C
3048 m	89.8°C
3658 m	87.6°C
4267 m	85.5°C

## SERVICIO

Para el servicio o cualquier pregunta relacionada con su aparato, visite primero [Fellowproducts.com/staggekgpromanual](http://Fellowproducts.com/staggekgpromanual). Si aún tiene preguntas, comuníquese con nosotros a [Help.fellowproducts.com](mailto:Help.fellowproducts.com).

NO devuelva el producto por correo al fabricante ni lo lleve a un centro de servicio sin antes hablar con un representante de atención al cliente de Fellow.

### GARANTÍA LIMITADA DE 2 AÑOS

Fellow garantiza este producto contra cualquier falla que se deba a material o mano de obra defectuosos durante dos años después de la fecha original de compra del consumidor.

#### Esta garantía es válida únicamente para:

- El consumidor original.
- Hervidores comprados a través de minoristas autorizados.
- Hervidores con el recibo de venta original como constancia de la compra.

#### Esta garantía no incluye daños al producto como resultado de:

- Accidente, uso indebido o reparaciones realizadas por personal no autorizado.
- Funcionamiento con el tipo de corriente o voltaje incorrecto.
- No seguir las instrucciones de limpieza tanto para el hervidor como para los productos de limpieza o para quitar el sarro.
- Falta de cumplimiento de cualquiera de las medidas de seguridad indicadas en las advertencias e instrucciones de este documento.

Si el producto se vuelve defectuoso dentro del período de garantía o tiene preguntas sobre la garantía o el servicio, envíenos un correo electrónico a [hello@fellowproducts.com](mailto:hello@fellowproducts.com)

Obtenga más información en: [Fellowproducts.com/staggekgpromanual](http://Fellowproducts.com/staggekgpromanual)

## STAGG EKG PRO

Fellow Industries Inc.

[Fellowproducts.com](http://Fellowproducts.com)

E-mail: [hello@fellowproducts.com](mailto:hello@fellowproducts.com)

San Francisco, CA 94110

**Produktname:** Stagg EKG PRO Pour-Over-Wasserkocher

Patente und zum patent angemeldet: [fellowproducts.com/pages/patents](http://fellowproducts.com/pages/patents)

2 Jahre eingeschränkte Garantie

In San Francisco designed, Hergestellt in China

MODELL	SPEZIFIKATIONEN
EP20AAEU	220V-240V   50Hz   1200W-1428W <b>Gewicht:</b> 1217 g (einschließlich Wasserkocherbasis) <b>Dimensionen (LxBxH):</b> 292 mm x 171 mm x 203 mm <b>Mahlkapazität:</b> 0.9 L



Nicht als unsortierten Abfall entsorgen.  
Zur Verwertung und zum Recycling an  
getrennte Sammelstellen senden.

Hiermit erklärt Fellow Industries Inc., dass das Funkgerät, ein Produkt mit integriertem WLAN-Bluetooth-Modul, mit der Richtlinie 2014/53/EU übereinstimmt. Modell EKG PRO EP20AAEU.

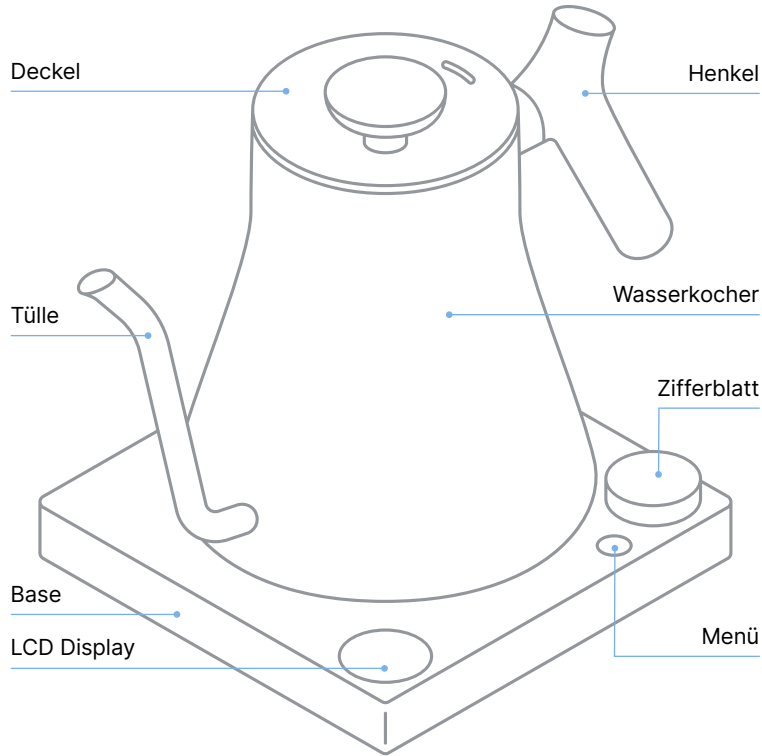
Den vollständigen Text der EU-Konformitätserklärung finden Sie unter der folgenden Internetadresse:  
[fellowproducts.com/pages/eu-declaration-of-conformity](http://fellowproducts.com/pages/eu-declaration-of-conformity)

### NUR FÜR DEN HÄUSLICHEN GEBRAUCH

Weitere Informationen auf [Fellowproducts.com/pages/gear-guides](http://Fellowproducts.com/pages/gear-guides)



**Diagra Diagramm A:**  
**Produktübersicht m A: Product Diagram**



**LESEN SIE SÄMTLICHE SICHERHEITSHINWEISE  
UND BEWAHREN SIE DIESE ZUR SPÄTEREN ANSICHT AUF.**

**WARNUNG!**

**Stromschlaggefahr:** Dieses Gerät ist mit einem geerdeten, dreipoligen Stecker ausgestattet. Schließen Sie das Gerät nur an ordnungsgemäß geerdete Steckdosen an, um die Gefahr eines elektrischen Schlags oder Brands zu vermeiden. Der Stecker passt nur auf eine Weise in eine Steckdose. Umgehen Sie nicht den Sicherheitszweck des Steckers, indem Sie den Stecker in irgendeiner Weise verändern oder einen Adapter verwenden. Schließen Sie das Gerät nicht an eine Steckdose mit einer anderen als der auf der Unterseite des Geräts angegebenen Spannung an.

Verwenden Sie mit diesem Gerät keinen Adapter.

Es wird ein kurzes Netzkabel mitgeliefert, um das Risiko zu verringern, sich in einem längeren Kabel zu verheddern oder darüber zu stolpern. Um eine Überlastung des Stromkreises zu vermeiden, verwenden Sie keine Geräte mit hoher Wattzahl im selben Stromkreis.

# WICHTIGESCHUTZMASSNAHMEN

**Bitte lesen Sie die Sicherheitshinweise vor dem Gebrauch sorgfältig durch und verwenden Sie den Wasserkocher ordnungsgemäß. Diese Sicherheitshinweise dienen der sicheren und ordnungsgemäßen Nutzung dieses Produkts, um die Gefährdung des Benutzers und anderer Personen und Sachschäden zu vermeiden.**

**Grundlegende Vorsichtsmaßnahmen sollten bei der Verwendung von Elektrogeräten befolgt werden, einschließlich der folgenden:**

- Der elektrische Sockel von Stagg EKG ist klein und das Gehäuse des Kessels ist unserem Herd-Wasserkocher sehr ähnlich, aber täuschen Sie sich nicht, sie sind nicht das gleiche! Dieser ist ein elektrischer Wasserkessel, der auf einem Herd NICHT eingesetzt werden darf.
- Legen Sie das Gerät nicht auf oder in der Nähe von einem Gasbrenner oder elektrischen Brenner, in einen beheizten Ofen oder in eine Mikrowelle.
- Berühren Sie die heißen Oberflächen des Produkts nicht. Verwenden Sie stets den Griff.
- Tauchen Sie das Kabel, den Stecker oder andere Teile des Kessels oder Sockels nicht in Wasser oder eine andere Flüssigkeit zum Schutz gegen Brand, Stromschlag und Körperverletzungen.
- Kein Teil des Stagg EKG ist spülmaschinenfest. Geben Sie den Stagg EKG oder Teile davon nicht in die Spülmaschine.
- Lassen Sie den Stagg EKG niemals unbeabsichtigt während des Gebrauchs (auch wenn er sich im HOLD-Modus befindet).
- Bei der Benutzung eines Geräts durch Kinder oder in ihrer Nähe ist besondere Vorsicht geboten. Verwenden Sie es nicht innerhalb der Reichweite von Kindern.
- Dieses Gerät ist nicht für den Gebrauch durch Personen (einschließlich Kinder) mit eingeschränkten körperlichen, sensorischen oder geistigen Fähigkeiten sowie fehlender Erfahrung und Kenntnis bestimmt.

- Kinder sollten beaufsichtigt werden, um sicherzustellen, dass sie nicht mit dem Gerät spielen.
- Ziehen Sie den Netzstecker bei Nichtgebrauch und vor der Reinigung heraus.
- Lassen Sie das Gerät abkühlen, bevor Sie Teile anbringen oder abnehmen und bevor Sie es reinigen.
- Um das Gerät von der Stromquelle zu trennen, bringen Sie den Hauptschalter in die „OFF“-Position und ziehen Sie danach den Stecker aus der Steckdose heraus. Ziehen Sie nicht am Kabel, da dies zur Beschädigung des Kabels und Stromschlag führen kann.
- Benutzen Sie den Stagg EKG nicht, wenn das Kabel oder der Stecker beschädigt ist, wenn der Wasserkocher defekt ist oder das Produkt auf andere Weise beschädigt wurde. Bringen Sie das Gerät zur Überprüfung, Reparatur oder Einstellung zur nächsten autorisierten Kundendienststelle.
- Vergewissern Sie sich, dass Ihre Netzspannung der Markierung auf der Unterseite Ihres Wasserkochers – 120 V – entspricht.

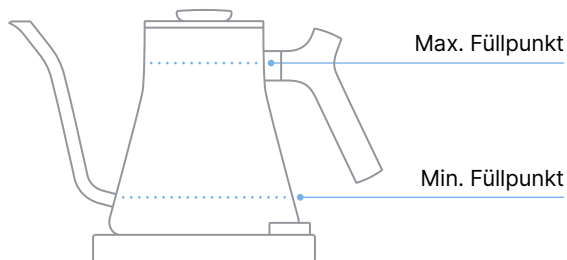
## UM VERBRÜHUNGEN ZU VERMEIDEN:

- Verwenden Sie den Wasserkocher niemals ohne seinen Deckel.
- Entfernen Sie den Deckel nicht, während das Wasser im Wasserkocher kocht.
- Verbrühungen können auftreten, wenn der Deckel während der Brühzyklen entfernt wird.
- Achten Sie auf den vom Ausgießer oder Deckel abgegebenen Dampf, besonders beim Nachfüllen.
- Das Wasser kann lange Zeit nach dem Kochen heiß bleiben und eine Verbrühungsgefahr darstellen. Halten Sie den Kessel und den Sockel weg von Tischkanten und außerhalb der Reichweite von Kindern. Entfernen Sie den Deckel nur, nachdem sich der Wasserkocher abkühlt.

**WARNUNG! Befüllen Sie nicht über den „Max.“-Füllpunkt, der im unteren Diagramm dargestellt wird.**

Wenn der Wasserkocher übermäßig befüllt ist, kann heißes Wasser überlaufen, wodurch die Gefahr von Verbrühungen steigt. Beziehen Sie sich auf das untere Diagramm B. Wir empfehlen Ihnen, nur die zum Sparen von Wasser und Energie erforderliche Menge einzusetzen.

**Diagramm B: Füllpunkte**



**WARNUNG! Das Gerät darf nicht trocken laufen oder mit Wasser unter dem „Min.“-Füllpunkt verwendet werden.**

Um zu funktionieren, muss der Stagg EKG Pro mit mindestens 333 ml gefüllt sein. Das Trockenlaufen des Wasserkochers kann zu dauerhaften Schäden und Brand führen. Der „Min.“-Füllpunkt befindet sich 2,5 cm über dem Boden des Kessels. Beziehen Sie sich auf das Diagramm B.

## **WICHTIGE SCHUTZMASSNAHMEN** (FORTGESETZT)

- Um eine elektrische Überlastung zu vermeiden, schließen Sie ein anderes Gerät mit hoher Wattleistung nicht an den gleichen Stromkreis an.
- Die Verwendung von Zubehöraufsätzen wird von Fellow nicht empfohlen, da dies zu Brand, Stromschlag oder Körperverletzungen führen kann.
- Nicht im Freien verwenden.
- Legen Sie keine Utensilien in den Wasserkocher hinein.
- Nach dem Auspacken des Stagg EKG entsorgen Sie Plastiktüten sorgfältig, sodass Kinder und andere sie nicht erreichen können.
- Lassen Sie das Kabel nicht über den Tischrand oder Arbeitsplatte hängen oder heiße Oberflächen berühren. Verwenden Sie kein Verlängerungskabel.
- Nehmen Sie den Kessel aus seinem Sockel vor dem Füllen. Entfernen Sie die Feuchtigkeit vom Boden des Kessels, bevor Sie ihn zurück auf den Sockel setzen.
- Der Wasserkocher muss auf einer flachen Oberfläche weg von Tischkanten benutzt werden, damit ein versehentliches Umkippen vermieden wird.

### **WICHTIG!**

Benutzen Sie den Wasserkocher nur mit dem von Fellow mitgelieferten Wasserkochersockel. Verwenden Sie keinen anderen Wasserkocher auf dem gelieferten Sockel oder einen anderen Sockel mit dem gelieferten Wasserkocher, es sei denn, dies wird von Fellow ausdrücklich vorgesehen und empfohlen.

Der Stagg EKG Pro-Sockel und der Wasserkocher sind nicht mit dem Sockel oder dem Wasserkocher der folgenden Produkte kompatibel: Stagg EKG, Stagg EKG+, Corvo EKG, oder dem Stagg Schwanenhals-Wasserkocher.

## WICHTIGE SCHUTZMASSNAHMEN (FORTGESETZT)

- Bewegen Sie den Kessel niemals zusammen mit dem Sockel, während das Gerät benutzt wird.
- Seien Sie äußerst vorsichtig, wenn Sie den mit Heißwasser gefüllten Kessel tragen, um Verbrennungen und Körperverletzungen zu vermeiden.
- Benutzen Sie den Wasserkocher nicht mit nassen Händen.
- Positionieren Sie den Kessel ordnungsgemäß auf den Sockel vor dem Einschalten.
- Verwenden Sie den Kessel nur mit dem mitgelieferten Sockel. Verwenden Sie einen anderen Kessel nicht auf dem gelieferten Sockel oder einen anderen Sockel mit dem gelieferten Kessel. Verwenden Sie nur das originale, gelieferte Paar zusammen.
- Warten Sie nach dem Gebrauch, bis sich der Kessel abgekühlt, bevor Sie den Deckel entfernen.
- Wenden Sie den Ausgießer von Wänden oder Schränken beim Gebrauch ab, um durch Dampf verursachte Schäden zu vermeiden.
- Wenn Sie den Wasserkocher auf eine Tischoberfläche stellen, legen Sie nach dem Erhitzen eine Schutzunterlage unter den Wasserkocher, um Schäden an der Oberfläche zu vermeiden.
- Um Brand- und Stromschlagrisiken zu verringern, weder entfernen Sie die untere Abdeckung vom Sockel, noch demontieren Sie den Kessel oder den Sockel. Im Inneren des Geräts befinden sich keine vom Benutzer zu wartenden Teile. Reparaturen dürfen nur durch autorisiertes Service-Personal erfolgen. Das Öffnen des Sockels oder des Kessels wird Garantie ungültig machen.
- Benutzen Sie das Gerät nicht in der Nähe von explosiven oder entflammaren Dämpfen.
- Verwenden Sie das Gerät nicht auf zweckentfremdende Weise. Dieses Gerät ist nur für Haushalts- und gewerblichen Gebrauch bestimmt. Die Verwendung des Geräts für andere als die vorgesehenen Zwecke wird Garantie ungültig machen.

## GEERDETER STECKER

Diese Gerät verfügt über einen geerdeten Schukostecker und ist beim Gebrauch mit einer geeigneten Steckdose zu erden. Um Schutz gegen Stromschlag und Brand zu gewährleisten, schließen Sie das Gerät nur an ordnungsgemäß geerdete Steckdosen an. Versuchen Sie nicht, dieses Sicherheitsmerkmal zu manipulieren.

## HEIZEN SIE EINEN LEEREN WASSERKOCHER NICHT AUF

Das verdeckte Heizelement in der Unterseite des Wasserkochers ist durch eine automatische Sicherheitsvorrichtung geschützt. Wenn Ihr Wasserkocher versehentlich erhitzt wird, ohne befüllt zu werden, oder wenn er trockenläuft, wird er sich automatisch abkühlen und danach ausschalten. Falls dies passiert, trennen Sie den Wasserkocher vom Netz, befüllen Sie ihn mit kaltem Wasser und warten Sie danach einige Minuten, bevor Sie ihn auf den Sockel setzen und einschalten.

**BEWAHREN  
SIE DIESE  
ANLEITUNG AUF.**

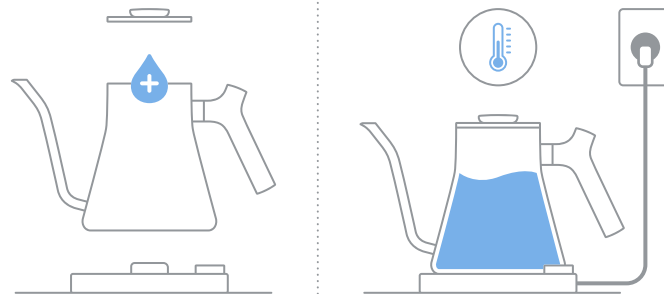


# ANWEISUNGEN ZUR ERSTMALIGEN VERWENDUNG

## REINIGUNG BEI ERSTMALIGER NUTZUNG

1. Legen Sie den Stagg EKG Sockel und Kessel auf eine flache, ebene Oberfläche.
2. Nehmen Sie den Wasserkocher vom Sockel und entfernen Sie den Deckel, um Wasser einzufüllen (Entfernen Sie den Deckel nicht, wenn er heiß ist.)
3. Spülen Sie das Innere des Wasserkochers aus und füllen Sie dann Wasser in den Wasserkocher, bis er etwa zur Hälfte gefüllt ist (zwischen dem Mindestfüllpunkt und dem Höchstfüllpunkt in Diagramm B).
4. Setzen Sie den Deckel nach Wasserzugabe wieder ein und stellen Sie sicher, dass sich der Ausgießer nicht nahe an einer Wand oder einem Schrank befindet und / oder auf eine Wand oder einen Schrank gerichtet ist.
5. Stecken Sie das Netzkabel unter Beachtung der Sicherheitsrichtlinien in die Steckdose.
6. Zieltemperatur (siehe Höhentabelle) für kochendes Wasser einstellen.
7. Sobald die Zieltemperatur (siehe Höhentabelle) erreicht ist, kochen Sie das Wasser etwa eine Minute lang weiter. Schalten Sie den Wasserkocher mit einem kurzen Druck auf den Drehknopf aus. Der LCD-Bildschirm wird schwarz.
8. Gießen Sie das gekochte Wasser weg; dieses Wasser sollte nicht getrunken werden. Ihr Stagg EKG ist nun gebrauchsfertig.

## Diagramm C: Erstmalige Verwendung



## REINIGUNG

Vergewissern Sie sich vor der Reinigung, dass der Sockel ausgesteckt und der Wasserkocher vollständig abgekühlt ist. Leeren Sie das restliche Wasser aus.

**VORSICHT:** Tauchen Sie den Wasserkocher niemals in Wasser oder andere Flüssigkeiten ein. Dies könnte zu dauerhaften Schäden am Wasserkocher führen.

Geben Sie keine Teile des Wasserkochers in die Spülmaschine.

Wischen Sie die Außenseite des Wasserkochers und des Bodens mit einem feuchten Tuch oder Schwamm ab und trocknen Sie sie anschließend. Verwenden Sie keine scheuernden Seifen, Reinigungsmittel oder Scheuerschwämme für jegliche Teile des Wasserkochers, da dies die Oberfläche beschädigen kann.

Mit der Zeit kann der Wasserkocher seine Fähigkeit verlieren, die Siedetemperatur zu erreichen. Dies kann auf Ablagerungen und Mineralien zurückzuführen sein, die sich je nach Verwendung und Wasserhärte in Ihrer Region im Inneren des Wasserkochers ablagern können. Verwenden Sie in diesem Fall einen Kalksteinentferner und befolgen Sie dabei die Anweisungen des Herstellers des Entkalkers.

## LAGERUNG

Reinigen und trocknen Sie vor der Lagerung sämtliche Teile Ihres Wasserkochers. Bewahren Sie den Wasserkocher in seiner Verpackung oder an einem sauberen, trockenen Ort auf.

Wickeln Sie das Netzkabel niemals um den Wasserkocher.

## WIE BENUTZT MAN

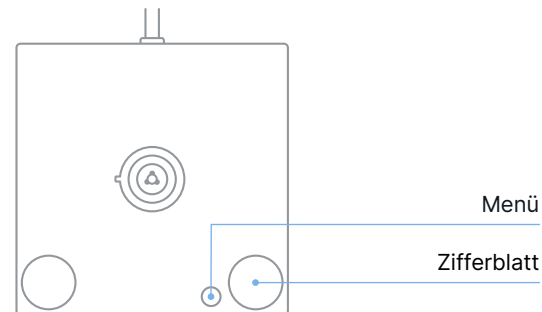
Bitte lesen Sie alle Gebrauchsanweisungen vor der Inbetriebnahme und dem Einschalten Ihres Wasserkochers vollständig durch.

### STAGG EKG PRO MIT WIFI VERBINDEN

**FÜR DIE VERBINDUNG IST DIE FELLOW-APP ERFORDERLICH. STAGG EKG PRO VERBINDET SICH NICHT AUTOMATISCH MIT DEM WIFI.**

1. Laden Sie die Fellow-App unter [Fellowproducts.com/app](https://www.fellowproducts.com/app) auf Ihr Smartphone herunter.
2. Stellen Sie sicher, dass das Stagg EKG Pro an eine Steckdose angeschlossen ist.
3. Stellen Sie sicher, dass sich Stagg EKG Pro an einem Ort mit guter WiFi-Verbindung befindet.
4. Merken Sie sich Ihren WiFi-Netzwerknamen und Ihr WiFi-Netzwerkennwort.
5. Öffnen Sie die Fellow-App und folgen Sie den Anweisungen in der App, um eine Verbindung herzustellen.
6. Nun können Sie Ihr Stagg EKG Pro über die App steuern.
7. Weitere Informationen oder Ratschläge zur Fehlerbehebung bei Ihrer WiFi-Verbindung finden Sie unter [Fellowproducts.com/staggekgpromanual](https://www.fellowproducts.com/staggekgpromanual).

### Diagramm D: EIN-/ AUSSCHALTEN, MENÜZUGRIFF



### EIN-/AUSSCHALTEN DES WASSERKOCHERS

Um den Stagg EKG einzuschalten, drücken Sie den Hauptschalter und warten Sie, bis das LCD-Display aufleuchtet. Um den Stagg EKG auszuschalten, drücken Sie den Schalter und warten Sie, bis das LCD-Display schwarz wird.

### ZIELTEMPERATUR EINSTELLEN

Wenn der Stagg EKG eingeschaltet ist, drehen Sie auf dem Hauptbildschirm den Drehknopf, um die Zieltemperatur zu ändern. Drehen Sie den Regler im Uhrzeigersinn, um die Zieltemperatur zu erhöhen. Drehen Sie den Regler gegen den Uhrzeigersinn, um die Zieltemperatur zu verringern.

Sobald Sie die gewünschte Temperatur erreicht haben, hören Sie auf, den Regler zu drehen. Der Stagg EKG zeigt einen Moment lang die eingestellte Temperatur an und beginnt dann mit dem Aufheizen auf die gewünschte Temperatur. Wird der Wasserkocher einmal abgenommen und wieder auf den Sockel gestellt, heizt er sofort auf die gewünschte Temperatur auf.

**WICHTIG:** Wenn die Vorheizfunktion aktiviert ist, heizt der Wasserkocher zunächst bis zum Sieden auf, bevor er auf die gewünschte Temperatur abkühlt.

## MENÜZUGANG

Stagg EKG Pro verfügt über eine Vielzahl von Kochwerkzeugen.  
Zum Aufrufen des Menüs:

1. Drücken Sie den Drehknopf, um Ihren Wasserkocher einzuschalten und mit dem Aufwärmen vom Wasser zu beginnen. Der LCD-Bildschirm leuchtet auf.
2. Drücken Sie die Menütaste, um das Hauptmenü aufzurufen.
3. Sobald Sie sich im Hauptmenü befinden, drehen Sie den Drehknopf im oder gegen den Uhrzeigersinn, um zwischen den verfügbaren Menü-Optionen zu navigieren. Drücken Sie den Drehknopf, um eine Option zu wählen oder zu bestätigen.
4. Drücken Sie die Menütaste, um das Menü zu verlassen.
5. Drücken Sie den Drehknopf, um Ihren Wasserkocher auszuschalten. Der LCD-Bildschirm wird dunkel.

Weitere Einzelheiten zum Menü finden Sie unter [fellowproducts.com/staggekgpromanual](http://fellowproducts.com/staggekgpromanual) oder wenn Sie diesen QR-Code scannen.



## EINSATZ IN HÖHEREN LAGEN

**VORSICHT:** In höheren Lagen kocht Wasser bei niedrigeren Temperaturen (siehe Höhentabelle unten). Wenn die eingestellte Temperatur höher ist als der Siedepunkt von Wasser in einer bestimmten Höhe, gibt der Stagg EKG weiterhin Wärme ab, um zu versuchen, die gewünschte Zieltemperatur zu erreichen. Dies führt zu einem übermäßigen Energieverbrauch und möglicherweise zu einer Beschädigung des Wasserkochers.

Mit Hilfe der Höheneinstellung bestimmt der Stagg EKG die maximal zulässige Zieltemperatur auf der Grundlage der vom Benutzer eingegebenen Höhe, um die Energieverschwendung und das Risiko einer Beschädigung des Wasserkochers zu reduzieren.

### GROSSE HÖHEN

HÖHE	SIEDEPUNKT DES WASSERS
0 m	100°C
150 m	99.5°C
305 m	99°C
610 m	98°C
1524 m	95°C
1829 m	94°C
2438 m	91.9°C
3048 m	89.8°C
3658 m	87.6°C
4267 m	85.5°C

## WARTUNG

Besuchen Sie erstens die Webseite **Fellowproducts.com/Stagekgeppromanual** für Wartung, Reparatur oder andere Fragen zu Ihrem Gerät. Wenn Sie noch Fragen haben, kontaktieren sie uns über **help.fellowproducts.com**.

Senden Sie das Produkt NICHT zurück an den Hersteller und bringen Sie es NICHT an einer Servicestelle, ohne zuerst mit einem Fellow Kundenbetreuer zu sprechen.

### BESCHRÄNKTE GARANTIE VON 2 JAHREN

Fellow versichert, dass dieses Produkt für einen Zeitraum von zwei Jahren ab dem Kauf frei von Mängeln ist, die auf Material- oder Verarbeitungsfehler zurückzuführen sind.

#### Diese Garantie gilt nur:

- Für den ursprünglichen Käufer
- Wenn der Wasserkocher durch einen autorisierten Händler gekauft wurde
- Mit dem Originalbeleg zum Nachweis des Kaufs, um Ihre Garantie in Anspruch zu nehmen.

#### Diese Garantie umfasst keine Schäden, die durch Folgendes verursacht wurden:

- Unfälle, Missbrauch oder durch unautorisiertes Personal durchgeführte Reparaturen.
- Betrieb mit falscher Stromart oder Spannung.
- Nichteinhaltung der Reinigungshinweise des Wasserkochers sowie der Reinigungsmittel / Entkalker.
- Nichteinhaltung der Schutzmaßnahmen, die in den Warnungen und Anweisungen aus diesem Dokument enthalten sind.

Wenn das Produkt innerhalb der Garantiefrist einen Fehler aufweist oder Sie noch Fragen zur Garantie oder Wartung haben, senden Sie uns eine E-Mail an **hello@fellowproducts.com**.

## STAGG EKG PRO

Fellow Industries Inc.

Fellowproducts.com

E-mail: [hello@fellowproducts.com](mailto:hello@fellowproducts.com)

San Francisco, CA 94110

**Nome del prodotto:** Stagg EKG PRO Electric Pour-Over Kettle  
Brevetti statunitensi e brevetti in corso di registrazione:  
[fellowproducts.com/pages/patents](http://fellowproducts.com/pages/patents) | Garanzia limitata di 2 anni  
Progettato a San Francisco, realizzato in Cina

MODELLO	SPECIFICHE
EP20AAEU	220V-240V   50Hz   1200W-1428W <b>Peso:</b> 1250 g (compresa la base del bollitore) <b>Dimensioni (LxPxA):</b> 282 mm x 172 mm x 196 mm <b>Capacità:</b> 0,9 L



Non smaltire come rifiuto indifferenziato.  
Da inviare a centri di raccolta differenziata  
per il recupero e il riciclaggio.

Con la presente, Fellow Industries Inc. dichiara che il tipo di apparecchiatura radio, prodotto con un modulo Bluetooth Wi/Fi integrato, è conforme alla Direttiva 2014/53/UE. Modell EKG PRO EP20AAEU

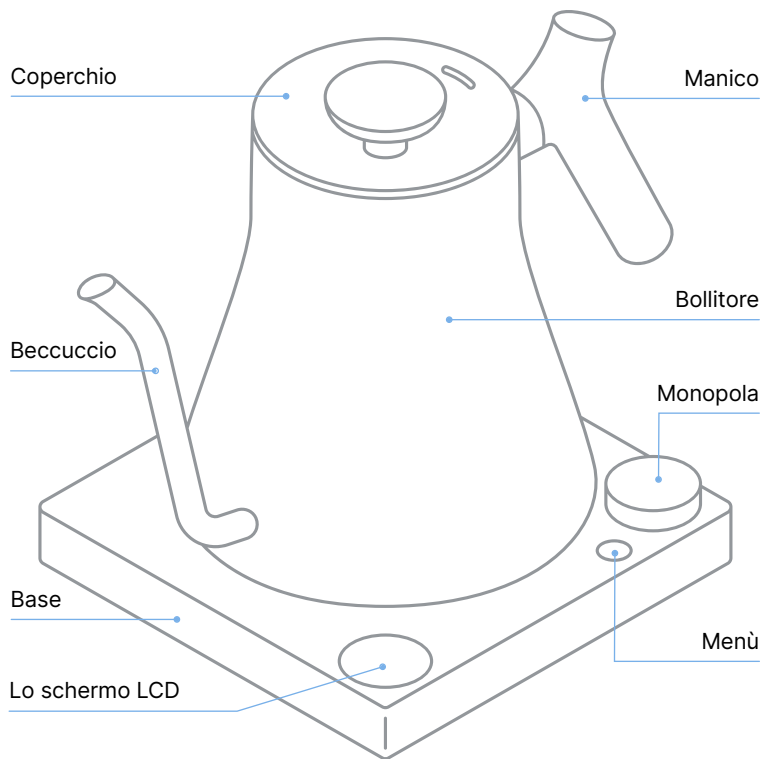
Il testo completo della dichiarazione di conformità UE è disponibile al seguente indirizzo Internet:  
[fellowproducts.com/pages/eu-declaration-of-conformity](http://fellowproducts.com/pages/eu-declaration-of-conformity)

### SOLO PER USO DOMESTICO

Maggiori informazioni su [Fellowproducts.com/pages/gear-guides](http://Fellowproducts.com/pages/gear-guides)



**Diagramma A: Panoramica del prodotto**



**LEGGERE TUTTE LE ISTRUZIONI.  
NON BUTTARE VIA QUESTO MANUALE PER LA SICUREZZA.**

### **AVVERTENZA!**

**Pericolo di shock elettrico:** l'apparecchio è dotato di spina a tre poli con messa a terra. Per garantire la protezione da shock elettrici o incendi, collegarla soltanto a prese di corrente con adeguata messa a terra. La spina può essere inserita nella presa in un solo modo. Non vanificare le finalità di sicurezza della spina apportando modifiche o usando un adattatore. Non collegare l'apparecchio a una presa con voltaggio diverso da quello indicato sul fondo dell'apparecchio stesso.

Non usare un adattatore con questo apparecchio.

Il cavo di alimentazione è corto per ridurre il rischio di impigliarsi o inciampare rispetto a un cavo più lungo. Per evitare un sovraccarico del circuito elettrico, non utilizzare apparecchi ad alta potenza sullo stesso circuito di questo apparecchio.

## **IMPORTANTI REGOLE PER LA SICUREZZA**

**Prima dell'utilizzo, per favore leggi attentamente queste avvertenze sulla sicurezza e sull'uso appropriato del bollitore. Tali avvertenze sono consigliate per l'uso sicuro ed appropriato del prodotto per evitare pericoli per l'utilizzatore e gli altri e danni al prodotto.**

**Quando si utilizzano elettrodomestici, le precauzioni fondamentali dovrebbero essere sempre rispettate, comprese le seguenti:**

- La base elettrica di Stagg EKG è piccola e il corpo del bollitore assomiglia molto a un bollitore tradizionale. Ma non farti confondere, non sono la stessa cosa! Questo bollitore elettrico **NON** può essere utilizzato su un piano cottura.

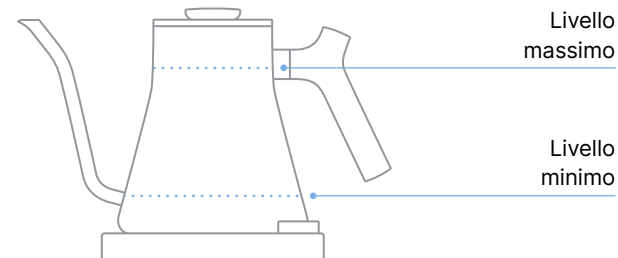
- Non mettere sopra o vicino un fornello a gas o elettrico caldo, in un forno riscaldato o in un forno a microonde.
- Non toccare le superfici riscaldate del prodotto. Usa sempre il manico.
- Per evitare incendi, scosse elettriche o incidenti, non immergere il cavo, la spina o qualsiasi altra parte del bollitore o della sua base in acqua o altro liquido.
- Non lavare alcun componente di Stagg EKG in lavastoviglie. Non inserire Stagg EKG o i suoi componenti nella lavastoviglie.
- Tieni sempre d'occhio Stagg EKG quando è in funzione (anche quando è in modalità HOLD).
- È necessario fare massima attenzione quando un elettrodomestico è in uso da parti di o vicino a un bambino. Tieni lontano dalla portata dei bambini.
- Questo apparecchio non è pensato per l'utilizzo da parte di persone con capacità fisiche, sensoriali o mentali ridotte (bambini compresi), o senza esperienza e conoscenza.
- I bambini dovrebbero essere controllati per evitare che giochino con il dispositivo.

#### PER PREVENIRE LE USTIONI:

- Non usare il bollitore senza il coperchio.
- Non rimuovere il coperchio mentre il bollitore è in funzione.
- La rimozione del coperchio durante il periodo d'infusione può comportare il pericolo di ustioni.
- Fai attenzione al vapore emesso dal beccuccio o dal coperchio specialmente durante il riempimento.
- L'acqua può mantenersi calda per un lungo periodo di tempo dopo l'ebollizione comportando il pericolo di ustioni. Tieni il bollitore e la sua base lontano dal bordo del piano di lavoro e fuori dalla portata dei bambini. Non rimuovere il coperchio fino a quando il bollitore non si sia raffreddato.

**AVVERTENZA! Non riempire oltre il livello massimo ("max") come mostrato nella figura di qui sotto.** Se il bollitore viene riempito eccessivamente, potrebbe espellere acqua calda, aumentando il rischio di scottature. Vedi **Diagramma B** sotto come riferimento. Consigliamo di utilizzare solamente la quantità necessaria per risparmiare acqua ed energia.

**Diagramma B: Punti di riempimento**



**AVVERTENZA! Non usare da vuoto o riempito al di sotto del livello minimo ("min").** Per funzionare, Stagg EKG deve contenere almeno 333 ml di acqua. L'uso del bollitore da vuoto potrebbe causare danni permanenti o potenziali incendi. Il livello minimo 2,5 cm al di sopra la base del bollitore. Vedere **Diagramma B** di qui sopra come riferimento.

#### IMPORTANTE!

Usare il bollitore soltanto con la base per bollitore fornita da Fellow in dotazione. Non usare altri bollitori sulla base in dotazione, né altre basi con il bollitore in dotazione a meno che ciò non venga chiaramente consigliato da Fellow.

La base e il bollitore Stagg EKG Pro non sono compatibili con la base e il bollitore dei prodotti di seguito: Stagg EKG, Corvo EKG o Stagg Pour-Over Kettle.

## IMPORTANTI REGOLE PER LA SICUREZZA CONT

- Al fine di evitare un sovraccarico, non usare con un altro dispositivo ad alto voltaggio sullo stesso circuito.
- Fellow non consiglia l'uso di accessori collegati in quanto potrebbero causare incendi, scosse elettriche o danni alla persona.
- Non usare in esterni.
- Non mettere oggetti dentro il bollitore.
- Una volta aver rimosso Stagg EKG dall'imbballaggio, getta le buste di plastica in modo da non essere dalla portata di bambini e altre persone.
- Non lasciare pendere il cavo dal tavolo o dal bancone, non lasciare a contatto con superfici riscaldate. Non usare prolunghe.
- Rimuovi il bollitore dalla sua base di alimentazione prima di riempirlo. Rimuovi l'umidità sulla parte inferiore del bollitore prima di metterlo sulla base di alimentazione.
- Il bollitore deve essere utilizzato su una superficie piana lontano dai bordi del bancone per evitare che si rovesci.
- Non muovere il bollitore e la base quando sono in uso. Per evitare bruciature o danni alla persona, fai attenzione nel trasportare il bollitore quando contiene acqua calda.
- Non usare il bollitore con le mani umide.
- Posiziona correttamente il bollitore sulla base prima di accenderlo.
- Usa il bollitore solo con la base in dotazione. Non usare altri bollitori sulla base in dotazione o un'altra base con questo bollitore. Usa solamente i pezzi originali che sono stati forniti insieme.
- Dopo aver utilizzato il bollitore, aspetta che si raffreddi prima di rimuovere il coperchio.
- Per evitare possibili danni causati dal vapore, non tenere il beccuccio in direzione di pareti o credenze.
- Quando si posiziona il bollitore su una superficie, usare una protezione

sotto il bollitore dopo che è stato riscaldato per evitare di danneggiare la superficie.

- Per ridurre il rischio d'incendi o scosse elettriche, non rimuovere il rivestimento inferiore dalla base e non smontare la base o il bollitore. Non ci sono parti che possono essere riparate dal consumatore all'interno. Solamente il personale autorizzato può eseguire riparazioni. L'apertura della base o del bollitore annulla la garanzia.
- Non usare in presenza di esalazioni esplosive e/o infiammabili.
- Non usare per scopi diversi da quelli previsti. Questo dispositivo è per uso domestico e commerciale solamente. L'utilizzo per scopi diversi comporta la nullità della garanzia.

### SPINA A TERRA

Questo dispositivo ha una spina a terra tripolare che deve essere utilizzata con una presa tripolare. Per evitare il rischio di scosse elettriche o incendi, il dispositivo deve essere collegato solamente a prese a terra. Non infrangere questa norma di sicurezza.

### NON RISCALDARE IL BOLLITORE VUOTO

Il sistema di riscaldamento nascosto nella parte inferiore del bollitore è protetto da un dispositivo di sicurezza automatico. Se il bollitore viene riscaldato per sbaglio senza essere stato prima riempito o da vuoto, questo si raffredderà automaticamente per poi spegnersi. In caso questo avvenga, sconnetti il bollitore, riempi con acqua fredda e aspetta qualche minuto prima di rimetterlo sulla base e collegarlo.

CONSERVA  
QUESTE  
ISTRUZIONI



# ISTRUZIONI PER IL PRIMO UTILIZZO

## PULIZIA – PRIMO UTILIZZO E

1. Metti la base di Stagg EKG e il bollitore su una superficie piana e regolare.
2. Rimuovere il bollitore dalla base e sollevare il coperchio per aggiungere l'acqua. (Non rimuovere il coperchio se è caldo.)
3. Sciacquare l'interno del bollitore, poi aggiungervi acqua per riempirlo circa a metà (tra il Livello di riempimento minimo e il Livello di riempimento massimo nel diagramma B).
4. Una volta aver aggiunto l'acqua, metti il coperchio e assicurati che il beccuccio non sia vicino e/o contro una parete o credenza.
5. Seguire le linee guida sulla sicurezza e collegare il cavo di alimentazione a una presa.
6. Impostare la temperatura desiderata (consultare il Grafico per le altitudini elevate) per riscaldare l'acqua.
7. Una volta raggiunta la temperatura desiderata (consultare il Grafico per le altitudini elevate), continuare a far bollire l'acqua per circa un minuto. Spegnerlo premendo rapidamente la manopola. Lo schermo LCD si spegnerà.
8. Butta l'acqua così bollita, non consumare quest'acqua. Stagg EKG è ora pronto per l'uso.

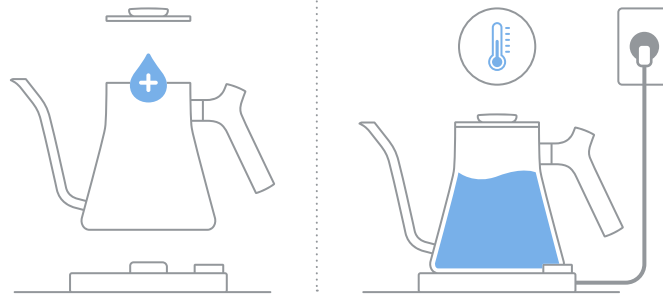
## PULIZIA

Prima di pulire, assicurarsi di scollegare la base dall'alimentazione e che il bollitore si sia raffreddato del tutto. Rimuovere eventuali residui d'acqua dal bollitore.

**ATTENZIONE: non immergere mai il bollitore in acqua o altri liquidi. Ciò potrebbe causare danni permanenti al prodotto.**

Non inserire parti del bollitore nella lavastoviglie.

**Diagramma C: Primo utilizzo**



Passare un panno o una spugna umidi sulla parte esterna del bollitore e sulla base, quindi asciugare. Non usare saponi, detergenti o spugne abrasive su alcuna parte del bollitore perché potrebbe danneggiare la finitura.

Nel corso del tempo, il bollitore potrebbe non riuscire più a raggiungere la temperatura di ebollizione. Ciò potrebbe essere causato da incrostazioni e depositi minerali che possono accumularsi all'interno del bollitore, a seconda dell'utilizzo e della durezza dell'acqua nell'area in cui si risiede. In questo caso, utilizzare un prodotto anti-calcare, seguendo le istruzioni indicate sul prodotto stesso.

## CONSERVAZIONE

Pulire e asciugare ogni parte prima della conservazione. Riporre il bollitore nella sua confezione o in un luogo pulito e asciutto.

Non avvolgere mai il cavo di alimentazione intorno al bollitore.

# ISTRUZIONI PER L'USO

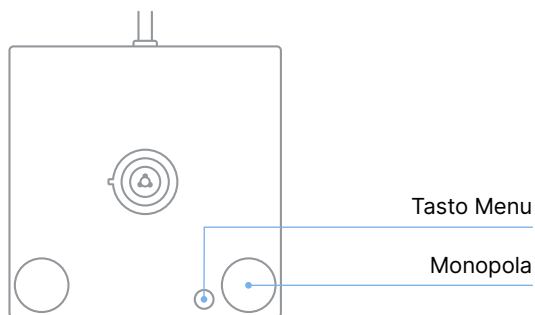
Leggi tutte le istruzioni per intero prima di accendere e utilizzare il bollitore.

## CONNESSIONE DI STAGG EKG PRO AL WIFI

### L'APP FELLOW È NECESSARIA PER LA CONNETTIVITÀ. STAGG EKG PRO NON SI CONNETTE AUTOMATICAMENTE AL WI-FI.

1. Scaricare l'app Fellow sullo smartphone dal sito [Fellowproducts.com/app](http://Fellowproducts.com/app).
2. Assicurarsi che Stagg EKG Pro sia collegato a una presa.
3. Assicurarsi che Stagg EKG Pro si trovi in un'area con una buona copertura Wi-Fi.
4. Conoscere il nome della rete WiFi e la password della rete WiFi.
5. Aprire l'app Fellow e osservare le istruzioni nell'app per la connessione.
6. Da qui, è possibile controllare Stagg EKG Pro dall'app.
7. Per ulteriori informazioni o per la risoluzione dei problemi relativi alla connessione WiFi, visitare il sito [Fellowproducts.com/staggekgpromanual](http://Fellowproducts.com/staggekgpromanual).

**Diagrama D:**  
**ON/OFF,**  
**Acceso a Menú**



## SPEGNERE/ACCENDERE IL BOLLITORE

Per accendere Stagg EKG, premi il bottone principale e attendi che il display LCD si accenda. Per spegnere Stagg EKG, tieni premuto il bottone e attendi che il display LCD si spenga.

## IMPOSTA UNA TEMPERATURA OBIETTIVO

Dalla schermata principale che appare all'accensione di Stagg EKG, ruotare la manopola per modificare la temperatura desiderata. Ruotare la manopola in senso orario per aumentare la temperatura desiderata. Ruotarla in senso antiorario per ridurla.

Una volta raggiunta la temperatura desiderata, smettere di ruotare la manopola. Stagg EKG mostrerà la temperatura impostata per un attimo prima di cominciare a riscaldarsi per raggiungerla. Se il bollitore viene rimosso dalla base e riposizionato, comincerà subito a riscaldarsi per raggiungere la temperatura desiderata.

**IMPORTANTE:** abilitando la funzione Pre-Bollire, il bollitore si riscalderà fino a far bollire l'acqua prima di raffreddarsi per raggiungere la temperatura impostata.

## ACCESSO AI MENU

Stagg EKG Pro ha una serie di strumenti per la bollitura. Per accedere al menu:

1. Premere la manopola per accendere il bollitore e iniziare a riscaldare l'acqua. Lo schermo LCD si illumina.
2. Premere il tasto menu per andare al menu principale.
3. Una volta all'interno del menu principale, ruotare la manopola in senso orario o antiorario per passare tra le opzioni di menu disponibili. Premere la manopola per accedere o convalidare una scelta.
4. Premere il tasto Menu per uscire dal menu.
5. Premere la manopola per spegnere il bollitore. Lo schermo LCD diventa nero.

Per ulteriori dettagli sul menu, visitare il sito [Fellowproducts.com/staggekgpromanual](http://Fellowproducts.com/staggekgpromanual) o eseguire la scansione di questo codice QR.



## UTILIZZO AD ALTITUDINI ELEVATE

**ATTENZIONE:** l'acqua bolle a temperature inferiori se ci si trova ad altitudini elevate (consultare il Grafico per le altitudini elevate di seguito). Se la temperatura impostata è superiore al punto di ebollizione dell'acqua a una determinata altitudine, Stagg EKG continuerà a riscaldarsi per raggiungere la temperatura desiderata. Ciò provoca un eccessivo consumo di energia, oltre rischiare di danneggiare il bollitore.

Con l'impostazione Altitudine, Stagg EKG determinerà la temperatura massima da raggiungere in base all'altitudine inserita dall'utente per ridurre gli sprechi di energia e i rischi di danni al bollitore.

**TABELLA ALTA QUOTA**

Altitudine	Punto di ebollizione dell'acqua
0 m	100°C
150 m	99.5°C
305 m	99°C
610 m	98°C
1524 m	95°C
1829 m	94°C
2438 m	91.9°C
3048 m	89.8°C
3658 m	87.6°C
4267 m	85.5°C

## ASSISTENZA

Per assistenza, riparazione o qualsiasi domanda circa il dispositivo, visita [Fellowproducts.com/Staggekgpromanual](http://Fellowproducts.com/Staggekgpromanual). Se hai ancora delle domande, puoi contattarci a [help.fellowproducts.com](mailto:help.fellowproducts.com).

NON rispedire il prodotto al produttore e non portarlo presso un centro di assistenza senza aver parlato prima con un agente del servizio clienti Fellow.

### GARANZIA LIMITATA DI 2 ANNI

Fellow garantisce questo prodotto da qualsiasi difetto dovuto a materiali difettosi o difetti di fabbrica per un periodo di un anno dalla data di acquisto da parte del consumatore.

#### Questa garanzia è valida solamente per:

- Il compratore originale.
- Bollitori acquistati presso un rivenditore autorizzato.
- Con scontrino d'acquisto originale come prova dell'acquisito per la richiesta della garanzia.

#### Questa garanzia non copre danni al prodotto dovuti a:

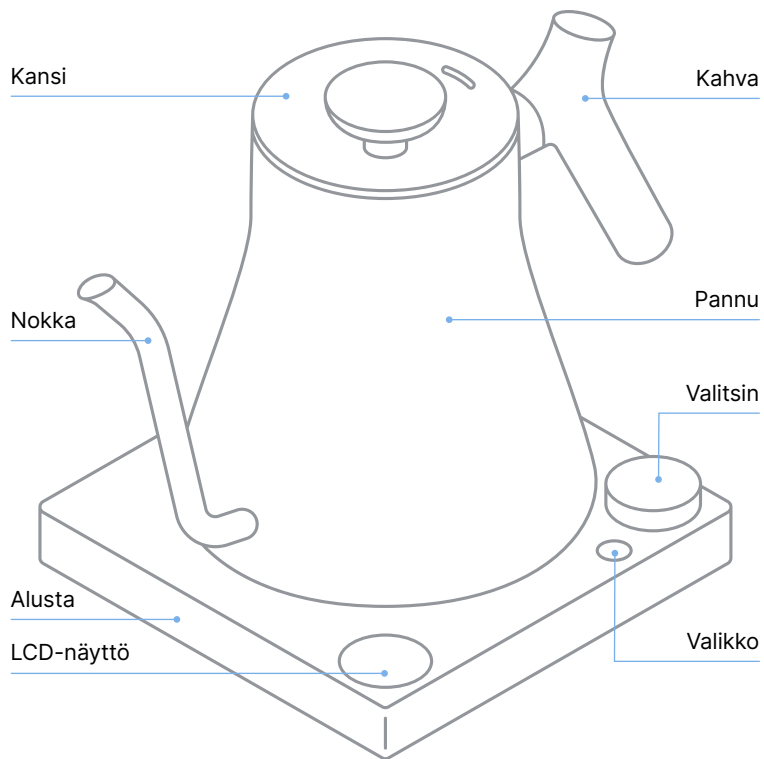
- Incidenti, cattivo utilizzo o riparazioni eseguite da personale non autorizzato.
- Usi con voltaggi o alimentazioni sbagliati.
- Mancato rispetto delle istruzioni circa la pulizia del bollitore e i prodotti per la pulizia/disincrostazione.
- Mancato rispetto delle linee guida elencate nelle avvertenze ed istruzioni di questo documento.

Nel caso il prodotto risulti difettoso durante il periodo di garanzia o se hai domande circa la garanzia o l'assistenza, mandaci un'email a [hello@fellowproducts.com](mailto:hello@fellowproducts.com)

Maggiori informazioni su:

[Fellowproducts.com/pages/gear-guides](http://Fellowproducts.com/pages/gear-guides)

## Kaavio A: Tuotekaavio



# STAGG EKG PRO

Fellow Industries Inc.

Fellowproducts.com

Email: [hello@fellowproducts.com](mailto:hello@fellowproducts.com)

San Francisco, CA 94110

**Produktnavn:** Stagg EKG Pro Elkedel

US-patenter og afventende patenter: [fellowproducts.com/pages/patents](https://fellowproducts.com/pages/patents)

2-års begrænset garanti | Designet i San Francisco, fremstillet i Kina

MODEL	SPECIFIKATIONER
EP20AAEU	220V-240 V   50 Hz   1200 W-1428 W <b>Vægt:</b> 1250 g (med kedelfoden) <b>Mål (L x B x H):</b> 282 mm x 172 mm x 196 mm <b>Kapacitet:</b> 0,9 liter



Dette produkt må ikke bortskaffes som usorteret husholdningsaffald. Det skal sendes til separate indsamlingssteder til genanvendelse og genbrug.

Fellow Industries Inc. Erklærer hermed at radioudstyret, der er et produkt med et indbygget Wi/Fi Bluetooth-modul, er i overensstemmelse med direktiv 2014/53/EU. Modellerne EKG PRO EP20AAEU.

Hele EU-overensstemmelseserklæringen kan findes på følgende internetadresse: [fellowproducts.com/pages/eu-declaration-of-conformity](https://fellowproducts.com/pages/eu-declaration-of-conformity)

## KUN BEREGNET TIL BRUG I HUSHOLDNINGEN

Du kan finde flere oplysninger på  
[Fellowproducts.com/pages/gear-guides](https://fellowproducts.com/pages/gear-guides)

## LÆS OG FØLG ALLE INSTRUKTIONERNE. BEHOLD DENNE SIKKERHEDS- OG VEDLIGEHOLDELSERVEJLEDNING TIL FREMTIDIG REFERENCE.

### ADVARSEL!

**Risiko for elektrisk stød:** Dette apparat har et tre-benet stik med jordforbindelse. For at beskytte mod risiko for elektrisk stød eller brand, må apparatet kun sluttes til en jordforbundet stikkontakt. Stikket passer kun én vej ind i en stikkontakt. Undgå at omgå stikkets sikkerhedsformål ved at ændre stikket på nogen måde eller ved at bruge en adapter. Dette apparat må ikke sluttes til en stikkontakt med en anden spænding end den, der står på bunden af apparatet.

Dette apparatet må ikke bruges med en adapter.

Det medfølgende strømkabel er kort, så det ikke indvikles eller nogen snubler over det. For at undgå overbelastning af strømkredsen, må du ikke bruge andre apparater, der bruger meget strøm, i samme strømkreds som dette apparat.

## VIGTIGE SIKKERHEDSFORANSTALTNINGER

**Før brug skal du læse disse sikkerhedsadvarsler omhyggeligt og bruge produktet (Diagram A) rigtigt. Disse sikkerhedsadvarsler skal sikre sikker og rigtig brug af dette produkt for at undgå fare for brugeren eller andre og beskadigelse af ejendom.**

**Når du bruger elektriske apparater, skal du altid overholde visse grundlæggende sikkerhedsregler, herunder følgende:**

- Stagg EKG Pro-kedlens el-fod er lille, og kedlens kabinet ligner påfaldende vores komfurkedel, men tag ikke fejl, de er ikke ens! Dette er en elkedel, der IKKE må bruges på et komfur.

- Produktet må ikke placeres på eller i nærheden af en varm gasbrænder eller elektrisk brænder, i en opvarmet ovn eller i en mikrobølgeovn.
- Undgå, at røre produktets overflader. Brug altid håndtaget.
- For at beskytte mod brand, elektriske stød og personskader, må ledningen, stikket eller nogen dele af kedlen eller foden puttes i vand eller andre væsker.
- Ingen dele af denne Stagg EKG Pro må vaskes i en opvaskemaskine. Hverken din Stagg EKG Pro og nogen af dens dele må vaskes i opvaskemaskinen.
- Din Stagg EKG Pro må aldrig efterlades uden opsyn, når den er i brug eller står på Hold-funktionen.
- Hvis dette apparat bruges af, på eller i nærheden af børn, skal du altid holde nøje øje med børnene.
- Produktet må ikke bruges inden for børns rækkevidde.
- Dette produkt er ikke beregnet til brug af personer (herunder børn) med nedsatte fysiske, sansemæssige eller mentale evner, eller med manglende kendskab eller erfaring med produktet.

### ADVARSEL! SÅDAN UNGDÅR DU SKOLDNING:

- Kedlen må aldrig bruges uden låg.
- Låget må aldrig åbnes, når kedlen koger.
- Der er risiko for skoldning, hvis låget fjernes under brug.
- Vær opmærksom på, at der kommer damp ud af tuden eller låget, især under påfyldning.
- Vand kan stadig være varmt i lang tid efter kogning, hvilket også udgør en fare for skoldning. Hold kedlen og foden væk fra bordkanten og væk fra børn. Låget må ikke åbnes, før kedlen har kølet ned.



# VIGTIGE SIKKERHEDSFORANSTALTNINGER

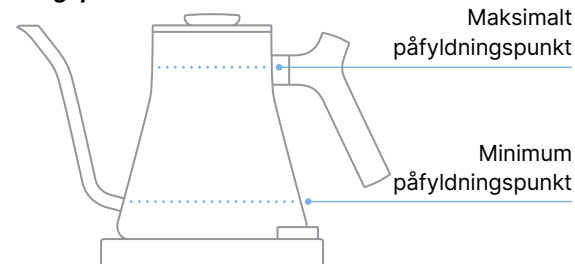
## FORTSAT

- Børn skal være under opsyn for, at sikre at de ikke leger med apparatet.
- Hvis produktet ikke skal bruges i længere tid eller hvis det skal rengøres, skal du trække stikket ud af stikkontakten.
- Lad apparatet afkøle, inden du sætter dele på eller fjerner dele, og inden du rengør apparatet.
- For at afbryde strømkilden, skal du trykke på drejeknappen for at slukke produktet, hvorefter stikket skal trækkes ud af stikkontakten. Træk ikke i selve ledningen, da det kan ødelægge den, hvilket kan føre til elektrisk stød.
- Din Stagg EKG Pro må aldrig bruges med en beskadiget ledning. Kedlen må heller ikke bruges, hvis den ikke virker ordentligt eller hvis den på nogen måde er blevet beskadiget. Send apparatet tilbage til den nærmeste autoriserede serviceforhandler til undersøgelse, reparation eller justering.
- Sørg for at forsyningsspændingen er den samme som den, der står på undersiden af kedlen.
- For at undgå overbelastning af strømkredsen, må du ikke bruge andre apparater, der bruger meget strøm, i samme strømkreds.
- Brug af tilbehør, der ikke anbefales af fabrikanten, kan føre til brand, elektrisk stød eller personskader.
- Apparatet må ikke bruges udendørs.
- Der må ikke stikkes nogen redskaber ind i elkedlen.
- Når du har pakket kedlen ud, skal du bortskaffe alle plastikposer, så du er sikker på at børn og andre ikke får fat i dem.
- Undgå at ledningen hænger ud over bordkanten og undgå, at den kommer i kontakt med varme overflader. Apparatet må ikke bruges med en forlængerledning.

**ADVARSEL: Kedlen må ikke fyldes op over maksimalmærket, der er vist i diagrammet nedenfor.**

Hvis elkedlen fyldes for meget op, kan det varme vand sprøjte ud, hvilket øger risikoen for skoldning. Se diagram B nedenfor for reference. Vi anbefaler, at du kun koger så meget vand, som du skal bruge, så du sparer på vand og energi.

**Diagram B: Påfyldningspunkter**



**ADVARSEL: Elkedlen må ikke tændes, når den er tom eller hvis vandet ikke når minimumsmærket.**

Der skal mindst fyldes 333 ml vand i denne Stagg EKG Pro, før den kan virke. Hvis kedlen tørkoger kan den tage permanent skade, og det kan føre til brand. Minimumsmærket er 2,54 cm over bunden af kedlen. Se diagram B ovenfor for reference.

# VIGTIGE SIKKERHEDSFORANSTALTNINGER

## FORTSAT

- Tag kedlen af foden, før de fyldes af. Fjern al fugt på bunden af elkedlen, før den sættes på elkedlens fod.
- Elkedlen skal bruges på en flad overflade, væk fra kanten af bordet, så den ikke vælter.
- Kedlen og foden må aldrig flyttes, når de er i brug.
- For at undgå forbrændinger og risiko for personskader, skal du være meget forsigtig, når du bruger elkedlen med varmt vand.
- Undgå, at bruge elkedlen, hvis dine hænder er våde.
- Sæt kedlen rigtigt på foden, før du tænder den.
- Efter brug af elkedlen skal du vente, indtil den har kølet ned, før du fjerner låget. For at undgå mulige dampskader, skal du dreje tuden væk fra væggen og skabe under brug.
- Hvis du sætter elkedlen på et bord, skal du bruge et beskyttende underlag under kedlen, når den er varm, så bordfladen ikke beskadiges.
- For at reducere risikoen for brand eller elektrisk stød, må bunddækslet ikke tages af foden, og foden og elkedlen må på ingen måde skilles ad. Der er ingen dele i apparatet, du selv kan servicere. Apparatet må kun repareres af autoriseret servicepersonale. Hvis foden eller kedlen åbnes, annulleres garantien.

### VIGTIGT!

Kedlen må kun bruges med den medfølgende fod fra Fellow. Foden må ikke bruges med nogen andre kedler, og andre fødder må ikke bruges med denne kedel, medmindre det specifikt er givet og rådet af Fellow.

Stagg EKG Pro-kedlen og foden er ikke kompatible med foden eller kedlen til kedlerne Stagg EKG, Stagg EKG+, Corvo EKG eller Stagg Pour-Over.

- Apparatet må ikke bruges i nærheden af eksplosive og/eller antændelige dampe.
- Kedlen må ikke bruges til andet end dét, den er beregnet til. Dette apparat er både beregnet til husholdningsbrug og erhvervsmæssig brug. Hvis produktet bruges til andre formål, annulleres garantien.

### STIK MED JORDFORBINDELSE

Dette apparat har et stik med en jordforbindelse. Stikket har tre stikben og det skal jordforbindes med en stikkontakt til stik med tre ben. For at beskytte mod risiko for elektrisk stød eller brand, må apparatet kun sluttes til en jordforbundet stikkontakt. Forsøg ikke, at ændre på denne sikkerhedsfunktion.

### EN TOM KEDEL MÅ IKKE TÆNDES

Det skjulte varmeelement i bunden af kedlen er beskyttet med en automatisk sikkerhedsanordning. Hvis din kedel ved et uheld tændes uden at være fyldt eller får lov til at tørkoge, køles den automatisk ned, hvorefter den slukker. Hvis dette sker, skal du trække stikket ud af kedlen, fylde med koldt vand og vente et par minutter, før den sættes på foden igen og tilsluttes.

BEHOLD DISSE  
INSTRUKTIONER

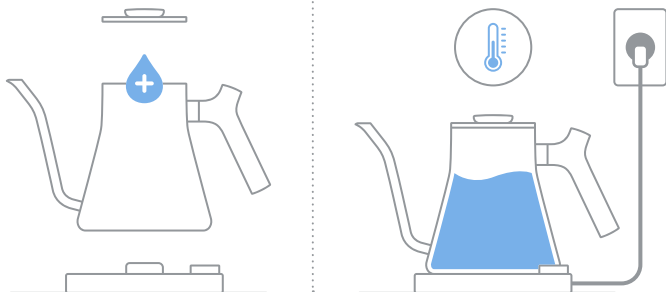


# FØRSTE BRUG

## RENGØRING - FØRSTE BRUG

1. Placer Stagg EKG Pro-foden og kedlen på en flad og plan overflade.
2. Tag elkedlen af foden, og tag låget af for at tilføje vand. (Låget må ikke tages af, hvis det er varmt).
3. Skyl indersiden af kedlen, og fyld den ca. halvvejs op med vand (mellem minimumsmærket og maksimalmærket i diagram B).
4. Når du har fyldt vand på kedlen, skal du sætte låget på og sørge for, at tuden ikke er tæt på og/eller vender mod en væg eller et skab.
5. Følg sikkerhedsretningslinjerne. Slut stikket til stikkontakten.
6. Indstil den ønskede temperatur (se diagram over højder), som vandet skal koges til.
7. Når temperaturen (se højdediagrammet) nås, skal du fortsætte med at koge vandet i cirka et minut. Sluk for kedlen ved at trykke på drejeknappen. LCD-skærmen bliver sort.
8. Hæld vandet i elkedlen ud. Dette vand må ikke indtages. Din Stagg EKG Pro er nu klar til brug.

Diagram C: Første brug



## RENGØRING

Før rengøring skal du sørge for, at foden er taget ud af stikkontakten, og at elkedlen har kølet helt ned. Hæld eventuelle vandrester ud af elkedlen.

**FORSIGTIG: Kedlen må aldrig nedsænkes i vand eller andre væsker. Dette kan beskadige kedlen permanent.**

Ingen af kedlens dele må vaskes i opvaskemaskinen.

Tør kedlen og foden af med en fugtig klud eller svamp, og tør den derefter af. Brug ikke slibende sæber, rensimidler eller skuresvampe på nogen dele af kedlen, da det kan beskadige overfladen.

Med tiden kan kedlen miste evnen til at nå kogetemperaturen. Dette kan skyldes kalk og mineralaflejringer, der bygges på indersiden af elkedlen, afhængigt af dit brug og hårdheden af vandet i dit område. Hvis dette sker, skal du bruge en kalkfjerner og følge producentens vejledninger.

## OPBEVARING

Rengør og tør alle delen af før opbevaring. Kedlen skal opbevares i pakken på et rent og tørt sted.

Ledningen må aldrig vikles om kedlen.

## BRUGSVEJLEDNING

Læs hele denne sikkerheds- og vedligeholdelsesvejledning grundigt, før elkedlen tændes og tages i brug.

### FORBIND DIN STAGG EKG PRO TIL ET WI-FI-NETVÆRK

**FOR AT GØRE DETTE, SKAL DU BRUGE FELLOW-APPEN. DIN STAGG EKG PRO OPRETTER IKKE AUTOMATISK FORBINDELSE TIL WI-FI-NETVÆRKET.**

1. Download Fellow-appen på din telefon fra [Fellowproducts.com/app](https://www.fellowproducts.com/app).
2. Sørg for at din Stagg EKG Pro er sluttet til en stikkontakt.
3. Sørg for at din Stagg EKG Pro er i et område, hvor der er god Wi-Fi-dækning.

4. Sørg for at du kender Wi-Fi-navnet og adgangskoden til netværket.
5. Åbn Fellow-appen, og følg instruktionerne i appen for at oprette forbindelsen.
6. Du kan finde flere oplysninger og løsningsforslag til eventuelle problemer med Wi-Fi-forbindelsen på [Fellowproducts.com/staggekgpromanual](https://www.fellowproducts.com/staggekgpromanual).

### SÅDAN TÆNDES/SLUKKES KEDLEN

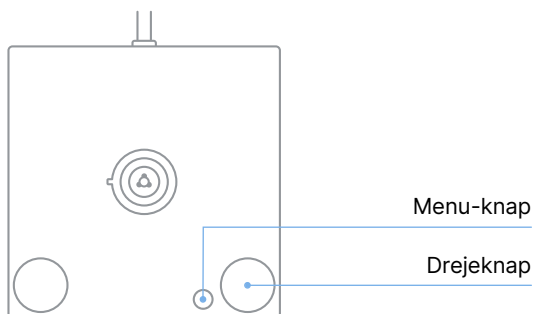
For at tænde din Stagg EKG Pro, skal du trykke på menuknappen ELLER drejeknappen og vente indtil skærmen begynder at lyse. For at slukke din Stagg EKG Pro skal du trykke på drejeknappen og vente på at lyset i skærmen går ud.

### INDTIL DEN ØNSKEDE TEMPERATUR

Tænd din Stagg EKG Pro og sørg for at den står på hovedskærmen, skal du dreje drejeknappen for at indstille den ønskede temperatur. Drej drejeknappen med uret for at skrue op for den ønskede temperatur. Drej drejeknappen mod uret for at skrue ned for den ønskede temperatur.

Når du når den ønskede temperatur, skal du holde op med dreje på drejeknappen. Din Stagg EKG Pro viser den indstillede temperatur i et kort øjeblik, hvorefter den varmer vandet op til den ønskede temperatur. Hvis kedlen tages af foden og sættes på igen, begynder kedlen at varme vandet op til den indstillede temperatur.

**Diagram D:**  
**Tænd/sluk,**  
**Menuadgang**



**VIGTIGT:** Hvis forkogningen slås til, koger kedlen først vandet, hvorefter det køles ned til den indstillede temperatur.

### ÅBNING AF MENUEN

Din Stagg EKG Pro har mange bryggeværktøjer. Sådan åbnes menuen:

1. Tryk på drejeknappen for at tænde for din kedel, hvorefter den varmer vandet op. LCD-skærmen begynder at lyse.
2. Tryk på menu-knappen for at navigere i hovedmenuen.
3. Åbn hovedmenuen og drej drejeknappen med eller mod uret for at navigere i menupunkterne. Tryk på drejeknappen til at åbne et punkt og til at bekræfte et valg.
4. Tryk på menu-knappen for at lukke menuen.
5. Tryk på drejeknappen for at slukke kedlen. LCD-skærmen bliver sort.

Du kan finde flere oplysninger om menuen på [Fellowproducts.com/staggekgpromanual](https://www.fellowproducts.com/staggekgpromanual), eller ved at scanne denne QR-kode.



## BRUG I HØJ HØJDE

**FORSIGTIG:** I høje højder koger vandet på en lavere temperatur (se højdediagrammet nedenfor). Hvis den indstillede temperatur er over vands kogepunkt i en given højde, fortsætter din Stagg EKG Pro med at varme vandet, indtil det når den indstillede temperatur. Dette forøger energiforbruget og kan potentiel skade elkedlen.

Men når **Højdeindstillingen** bruges bestemmer din Stagg EKG Pro den maksimalt tilladte indstillede temperatur i henhold til højden, som brugeren indtaster, så energiforbruget ikke forøges og kedlen ikke beskadiges.

### OVERSIGT OVER BRUG I HØJE HØJDER

Højde	Vandets kogepunkt
0 m	100°C
150 m	99,5°C
305 m	99°C
610 m	98°C
1524 m	95°C
1829 m	94°C
2438 m	91,9°C
3048 m	89,8°C
3658 m	87,6°C
4267 m	85,5°C

## SERVICERING

For servicering eller spørgsmål om dit apparat, skal du gå på [Fellowproducts.com/staggekgpromanual](https://www.fellowproducts.com/staggekgpromanual). Hvis du stadig har spørgsmål, kan du kontakte os på [Help.fellowproducts.com](mailto:Help.fellowproducts.com).

Du må IKKE sende produktet tilbage til producenten eller tage det til et servicecenter uden først at tale med en af vores kundeservicemedarbejdere.

### 2-ÅRS BEGRÆNSET GARANTI

Fellow garanterer dette produkt mod eventuelle defekter, der skyldes fejl i materialer eller fabrikation, i en periode på to år efter den oprindelige købsdato.

#### Denne garanti gælder kun:

- For den oprindelige kunde.
- Elkedler, der er købt af vores autoriserede forhandlere.
- Elkedler med original kvittering for købsbevis.

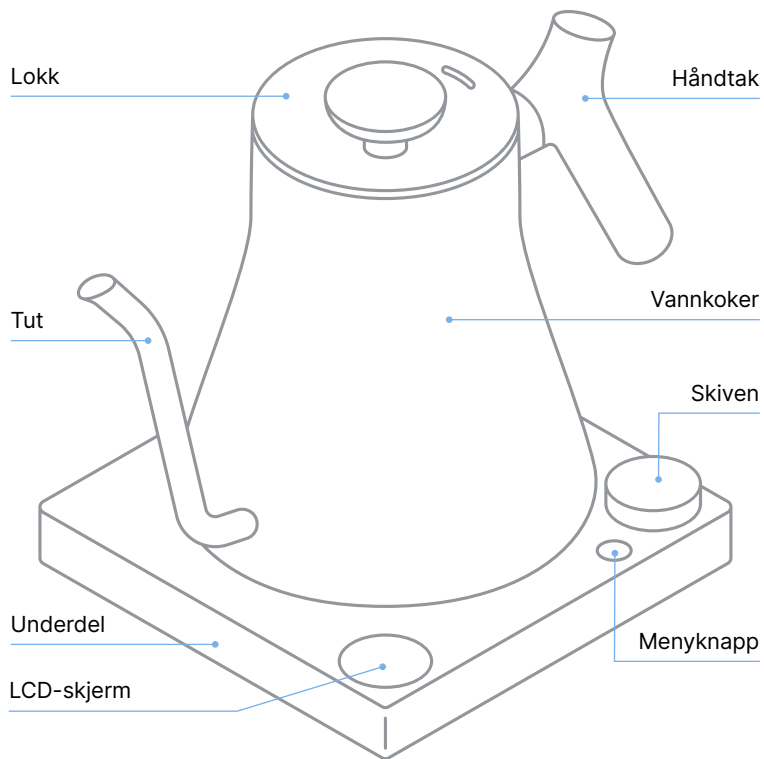
#### Denne garanti omfatter ikke skader på produktet som følge af:

- Uheld, misbrug eller reparationer af uautoriseret personale.
- Brug med den forkerte slags strøm eller spænding.
- Manglende overholdelse af rengøringsvejledningerne til kedlen og vejledningerne til eventuelle rengørings- eller afkalkningsmidler.
- Manglende overholdelse af sikkerhedsforanstaltningerne i advarslerne og instruktionerne i dette dokument.

Hvis produktet bliver defekt inden for garantiperioden, eller hvis du har spørgsmål om garantien eller servicering, bedes du sende en e-mail til os på [hello@fellowproducts.com](mailto:hello@fellowproducts.com).

Du kan finde flere oplysninger på:  
[Fellowproducts.com/staggekgpromanual](https://www.fellowproducts.com/staggekgpromanual)

Diagram A: Produktdiagram



# STAGG EKG PRO

Fellow Industries Inc.

Fellowproducts.com

E-post: [hello@fellowproducts.com](mailto:hello@fellowproducts.com)

San Francisco, CA 94110

**Produktnavn:** Stagg EKG Pro Elektrisk vannkoker

Patenter og patenter under behandling: [fellowproducts.com/pages/patents](https://fellowproducts.com/pages/patents)

2 års begrenset garanti | Designet i San Francisco, produsert i Kina

MODELL	SPESIFIKASJONER
EP20AAEU	220V-240V   50Hz   1200W-1428W <b>Vekt:</b> 1250 g (inkludert vannkokerbase) <b>Dimensjoner (LxBxH):</b> 282 mm x 172 mm x 196 mm <b>Kvernekapasitet:</b> 0,9 L



Skal ikke kasseres som restavfall. Sendes til egne innsamlingsanlegg for gjenvinning og resirkulering.

**KUN TIL HUSHOLDNINGSBRUK**

Mer informasjon på [Fellowproducts.com/pages/gear-guides](https://fellowproducts.com/pages/gear-guides)

**LES ALLE INSTRUKSJONER. IKKE KAST  
BORT DENNE SIKKERHETSVEILEDNINGEN.**

**ADVARSEL!**

**Fare for elektrisk støt:** Dette apparatet har et jordet støpsel med tre poler. Pass på å bare koble til korrekt jordede strømuttak for å sikre beskyttelse mot risiko for elektrisk støt eller brann. Støpslet passer bare inn i et uttak én vei. Ikke modifier støpslet eller bruk en adapter. Dette kan fjerne sikkerhetsformålet med dette støpslet. Ikke plugg dette apparatet inn i et uttak med en annen spenning enn den som er spesifisert på bunnen av apparatet.

Ikke bruk en adapter med dette apparatet.

En kort strømledning følger med. Den er kort for å redusere risikoen for at den skal bli viklet inn i noe eller for snubling over en lengre ledning. For å unngå overbelastning av den elektriske kretsen må du ikke bruke apparater med høy effekt på samme krets som dette apparatet.

## **VIKTIGE SIKKERHETSTILTAK**

**Før bruk, les disse advarsler nøye, og bruk vannkoker på riktig måte. Disse advarsler er indikert for sikker og riktig bruk av dette produktet, for å forhindre fare for brukeren eller andre, og skade på eiendom.**

**Når du bruker elektriske apparater, skal grunnleggende  
forholdsregler alltid være fulgt, inkludert følgende:**

- Stagg EKG's elektriske underdel er liten og vannkokerens form er påfallende lik vår ovnsplate kanne, men vær du sikker, de er ikke det samme! Dette er en vannkoker som IKKE kan brukes på en ovn.
- Må ikke plasseres på eller i nærheten av en varm gassbrenner eller elektrisk brenner, i en oppvarmet ovn, eller i en mikrobølgeovn.
- Ikke berør varme overflater på produktet. Bruk håndtaket til alle tider.
- For å beskytte mot brann, elektrisk støt og skade på personer, ikke senk ledning, støpsel, eller noen andre deler av vannkokeren eller underdelen i vann eller annen væske.
- Ingen del av Stagg EKG er sikker i oppvaskmaskiner. Ikke legg Stagg EKG eller Stagg EKG-deler i oppvaskmaskinen.
- La aldri Stagg EKG stå uten tilsyn når den er i bruk (inkludert når du er i HOLD-modus).
- Tett oppsyn er nødvendig når apparatet brukes av eller i nærheten av barn. Ikke bruk innen et barns rekkevidde.
- Dette apparatet er ikke beregnet for bruk av personer (inkludert barn) med reduserte fysiske, sensoriske eller mentale evner, eller manglende erfaring og kunnskap.
- Barn bør holdes under oppsyn for å sikre at de ikke leker med apparatet.
- Koble laderen fra stikkkontakten når den ikke er i bruk og før rengjøring.
- Avkjøles før du setter på eller tar av deler og før du rengjør apparatet.
- For å koble fra strømforsyningen, trykk på hoved-knappen for å skru "AV" og deretter fjerne kontakten fra støpselet. Ikke dra i selve ledningen, da det kan skade ledningen og til slutt føre til elektrisk støt.

## VIKTIGE SIKKERHETSTILTAK (FORTSATTE)

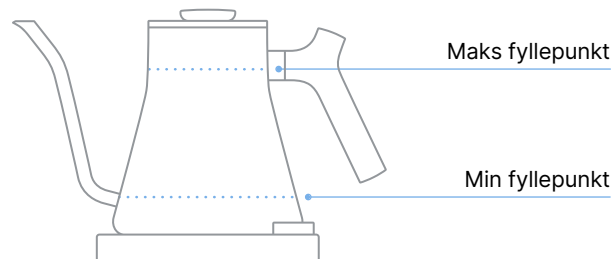
- Ikke bruk Stagg EKG med en skadet ledning eller kontakt, hvis vannkokeren ikke virker, eller om produktet har blitt skadet på noen som helst måte. Returner det skadede apparatet til nærmeste autoriserte servicefasilitet for undersøkelse, reparasjon eller justering.
- Sikre at din hovedforsynings-spenning er den samme som er merket på undersiden av vannkokeren.
- For å unngå elektrisk overbelastning, ikke bruk et annet høyt wattstyrke-apparat på samme krets.
- Bruk av tilfestede tilbehør er ikke anbefalt av Fellow, da det kan resultere i brann, elektrisk støt eller personskaade.
- Ikke bruk utendørs.
- Ikke plasser bestikk i kannen.
- Etter utpakking av Stagg EKG, kast forsiktig plastposene, slik at barn og andre ikke kan nå dem.
- Ikke la ledningen henge over kanten av bord eller en benker, eller berøre varme overflater. Ikke bruk en skjøteledning.

### ADVARSEL! FOR Å HINDRE SKÅLDING:

- Bruk aldri kannen uten lokket.
- Ikke fjern lokket mens kannen koker.
- Skålding kan oppstå hvis lokket fjernes under bryggings-syklusene.
- Vær obs på damp som slippes ut fra tuten eller lokket, spesielt under påfylling.
- Vann kan være varmt i lang tid etter koking og kan presentere en fare for skålding. Hold kannen og underdelen borte fra kanten av arbeidsoverflaten og utilgjengelig for barn. Ikke fjern lokket før kannen har kjølt seg ned.

**ADVARSEL: Ikke fyll over 'maks' fyllpunkt som vist i diagrammet nedenfor.** Ikke fyll over dette punktet. Se figur B nedenfor for referanse. Vi foreslår å bruke kun den mengden du trenger for å spare vann og energi.

**Diagram B: Fyllpunkt**



**ADVARSEL: Ikke bruk tørr eller under 'min' fyllpunkt.** Stagg EKG må ha minimum 333 ml for å fungere. Tørrkoking av vannkokeren kan resultere i permanent skade og potensiell brann. 'Min' fyllpunkt er 2,5 cm over bunnen av kannen. Se diagram B ovenfor for referanse.



## VIKTIGE SIKKERHETSTILTAK (FORTSATTE)

- Fjern kannen fra sin underdel før fylling. Fjern all fuktighet på bunnen av kannen før du setter den på underdelen.
- Vannkoker må brukes på et flatt underlag bort fra kanten av benken for å forhindre utilsiktet velting.
- Aldri flytt kanne og underdel sammen mens enheten er i bruk.
- For å unngå brannskade og risiko for personskade, utvis forsiktighet når du bærer kanne som inneholder varmt vann.
- Ikke bruk vannkokeren hvis du er våt på hendene.
- Plasser kannen riktig på underdelen før du slår på.
- Bruk kannen bare sammen med utlevert underdel. Ikke bruk noen annen kanne på utlevert underdel, eller noen annen underdel med utlevert kanne. Bruk bare originalen, levert parvis sammen.
- Etter bruk av vannkoker, vent til kannen har kjølt seg ned før du tar av lokket.
- For å unngå mulig dampskade, snu tuten bort fra vegger eller skap ved bruk.
- Når kjelen settes ned på en bordoverflate, bruk et beskyttelsesunderlag under kjelen etter at den har blitt varmet opp for å forhindre skade på bordets overflate.
- For å redusere risikoen for brann eller elektrisk støt, må du ikke fjerne bunndekselet fra underdelen eller demontere underdel eller kanne på noen måte. Det er ingen deler som kan repareres av brukeren inni.
- Reparasjon bør kun utføres av autorisert servicepersonell. Åpning av underdel eller kanne vil resultere i tap av garanti.
- Må ikke brukes i nærheten av eksplosive og/eller brennbare gasser.
- Ikke bruk for annet enn tiltenkt bruk. Dette apparatet er bare beregnet for privat og kommersiell bruk. Bruk for noe annet enn tiltenkt bruk vil føre til tap av garanti.

### VIKTIG!

Bare bruk kjelen med den medfølgende kjelebasen levert av Fellow. Ikke bruk en annen kjele på den leverte basen, eller noen annen base med den leverte kjelen, med mindre denne er levert av Fellow og anbefalt.

Stagg EKG Pro-basen og kjelen er ikke kompatible med basen eller kjelen til følgende produkter: Stagg EKG, Stagg EKG+, Corvo EKG eller Stagg Pour-Over Kettle.

### ENCHUFE DE CONEXIÓN A TIERRA

Este electrodoméstico tiene un enchufe de tres patas con conexión a tierra y debe estar conectado a tierra con un tomacorriente de tres clavijas cuando está en uso. Para garantizar la protección contra el riesgo de descarga eléctrica o incendio, conecte únicamente a tomacorrientes debidamente conectados a tierra. No intente superar esta característica de seguridad.

### NO CALENTAR LA TETERA VACÍA

El elemento calefactor encubierto en la parte inferior de la tetera está protegido por un dispositivo de seguridad automático. Si su tetera se calienta accidentalmente sin llenarse o se deja hervir hasta secar, éste se enfriará automáticamente y luego se apagará. Si esto sucede, desenchufe la tetera, llénela con agua fría y espere unos minutos antes de volver a colocarla en la base y enchufarla.

GUARDE ESTAS  
INSTRUCCIONES

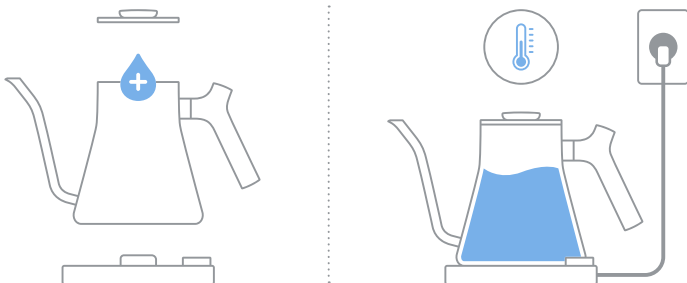


# INSTRUKSJONER FOR FØRSTE GANGS BRUK

## RENGJØRING – FØRSTE GANGS BRUK

1. Plasser Stagg EKG underdel og kanne på en flat, jevn overflate.
2. Ta kjelen av basen og ta av lokket for å helle på vann.( Ikke fjern lokket hvis varmt.)
3. Rengjør kjelen innvendig, og tilsett vann til kjelen er omtrent halvfull (mellom punktene for minimum og maksimum fylling i diagram B).
4. Etter å ha tilsatt vann, sett på lokket og sikre at tuten ikke er i nærheten av og/eller mot en vegg eller skap.
5. Følg retningslinjene for sikkerhet og plugg strømledningen inn i uttaket. •
6. Angi måltemperaturen (se kartet over høyder over havet) for å koke vann.
7. Når måltemperaturen (se kartet over høyder over havet) er nådd, skal du fortsette å koke vannet i omtrent ett minutt. Skru av kjelene med et raskt trykk på skiven. LCD-skjermen vil bli svart.
8. Kast første kokte vann, dette vannet bør ikke brukes. Din Stagg EKG er nå klar til bruk.

**Diagram C: Første gangs bruk**



## RENGJØRING

Før rengjøring, pass på at basen ikke er plagget inn og at kjelen er helt nedkjølt. Tøm ut resten av vannet fra kjelen.

**FORSIKTIG: Senk aldri kjelen ned i vann eller andre væsker. Det kan føre til permanent skade på kjelen.**

Ikke vask noen av delene i kjelen i en oppvaskmaskin.

Tørk av kjelen og basen utvendig med en fuktig klut eller svamp, og tørk deretter. Ikke bruk såper, rengjøringsmidler eller skurefiller som sliper på noen del av kjelen, da dette kan skade overflaten.

Over tid kan kjelen miste evnen til å nå koketemperatur. Dette kan skyldes mineralavsetninger som kan bygge seg opp på innsiden av kjelen avhengig av bruken din og hvor hardt vannet er i ditt område. Når dette skjer, bruk et middel for fjerning av kalk eller avsetninger, og følg bruksanvisningen for dette middelet.

## OPPBEVARING

Rengjør og tørk alle deler før lagring. Oppbevar kjelen i dens eske eller på et rent, tørt sted.

Ikke surr strømledningen rundt kjelen.

## BRUK INSTRUKSJONER

Les alle bruksinstruksjoner helt før du slår på og bruker vannkokeren.

### KOBLE STAGG EKG PRO TIL WIFI

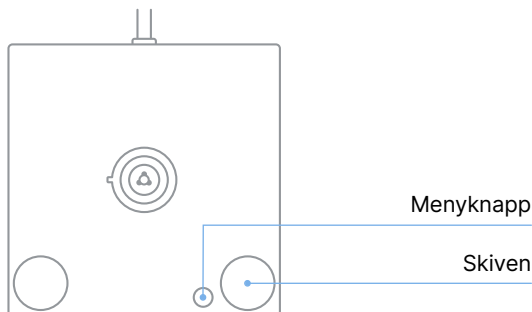
**FELLOW-APPEN ER NØDVENDIG FOR TILKOBLING. STAGG EKG PRO KOBLER SEG IKKE AUTOMATISK TIL WIFI.**

1. Last ned Fellow-appen til telefonen din på **Fellowproducts.com/app**.
2. Sørg for at Stagg EKG Pro er koblet til en stikkontakt.
3. Sørg for at Stagg EKG Pro er i et område med god WiFi-dekning.
4. Husk WiFi-nettverksnavnet du bruker og WiFi-nettverkets passord.
5. Åpne Fellow-appen og følg instruksjonene i appen for å koble til.
6. Herfra kan du kontrollere Stagg EKG Pro fra appen.
7. For mer informasjon eller feilsøking av WiFi-tilkoblingen, vennligst gå til **Fellowproducts.com/staggekgpromanual**.

### SLÅ VANNKOKER PÅ/AV

For å slå Stagg EKG på, trykk på hoved-knappen og vent til LCD-skjermen lyser opp. For å slå Stagg EKG av, trykk på knappen og vent til LCD-skjermen blir sort.

**Diagram D:**  
**PÅ/AV, Tilgang**  
**Til Meny**



### ANGI MÅLTEMPERATUREN

Når Stagg EKG er påslått, vri skiven fra hovedskjermen for å endre måltemperaturen. Vri skiven med klokken for å øke måltemperaturen. Vri skiven mot klokken for å redusere måltemperaturen.

Når du når den ønskede temperaturen, slutt å vri på skiven. Stagg EKG vil vise den satte temperaturen i et øyeblikk og deretter begynne å varme opp til den ønskede temperaturen. Dersom kjelen tas av og settes tilbake på basen, vil kjelen begynne å varme opp til måltemperaturen umiddelbart.

**VIKTIG:** Dersom forhåndskoking er aktivert, vil kjelen først varme til kokepunktet før den kjøle ned til din måltemperatur.

### TILGANG TIL MENY

Stagg EKG Pro har en rekke funksjoner for brygging. For å gå inn i menyen:

1. Trykk på knappen for å slå på vannkokeren og begynn å varme opp vannet. LCD-skjermen vil nå lyse opp.
2. Trykk på menyknappen for å navigere til hovedmenyen.
3. Når du er inne i hovedmenyen, roter knappen med eller mot klokken for å navigere mellom de tilgjengelige menyalternativene. Trykk på knappen for å angi eller bekrefte et valg.
4. Trykk på menyknappen for å gå ut av menyen.
5. Trykk på knappen for å slå av vannkokeren. LCD-skjermen vil nå bli svart.

For å se flere detaljer på menyen, besøk [Fellowproducts.com/staggekgpromanual](https://Fellowproducts.com/staggekgpromanual) eller skann denne QR-koden.



## BRUK I HØYTLIGGENDE OMRÅDER

**FORSIKTIG:** Vann koker ved lavere temperaturer i høytliggende områder (se kartet over høytliggende områder). Dersom den angitte temperaturen er høyere enn kokepunktet ved en gitt høyde over havet, vil Stagg EKG fortsette å levere varme for å forsøke å nå måltemperaturen. Dette fører til høyere energiforbruk og potensiell skade på kjelen.

Om høydeinnstillingen brukes, vil Stagg EKG bestemme den maksimalt tillatte måltemperaturen basert på den brukerinnstilte høyden over havet, og dermed redusere energisløsing og redusere risikoen for skade på kjelen.

HØY HØYDE KART

Høyde	Kokepunkt for vann
0 m	100° C
150 m	99.5° C
305 m	99° C
610 m	98° C
1524 m	95° C
1829 m	94° C
2438 m	91.9° C
3048 m	89.8° C
3658 m	87.6° C
4267 m	85.5° C

## SERVICE

For service, reparasjon eller spørsmål angående ditt apparat, besøk først **Fellowproducts.com/Staggekgpromanual**. Hvis du fortsatt har spørsmål, kan du kontakte oss på **help.fellowproducts.com**.

IKKE send produktet tilbake til produsenten eller bring den til et service senter uten først å snakke med en Fellow kundeservice representant.

### 2 ÅRS BEGRENSET GARANTI

Fellow garanterer dette produktet mot eventuelle defekter som skyldes defekt materiale eller utførelse i en toårsperiode etter den opprinnelige kjøpsdatoen.

#### Denne garantien er bare gyldig for:

- Den opprinnelige forbrukeren.
- Når kjelen er kjøpt gjennom autoriserte forhandlere.
- Med den originale kvitteringen som kjøpsbevis for å gjøre krav på garantien.

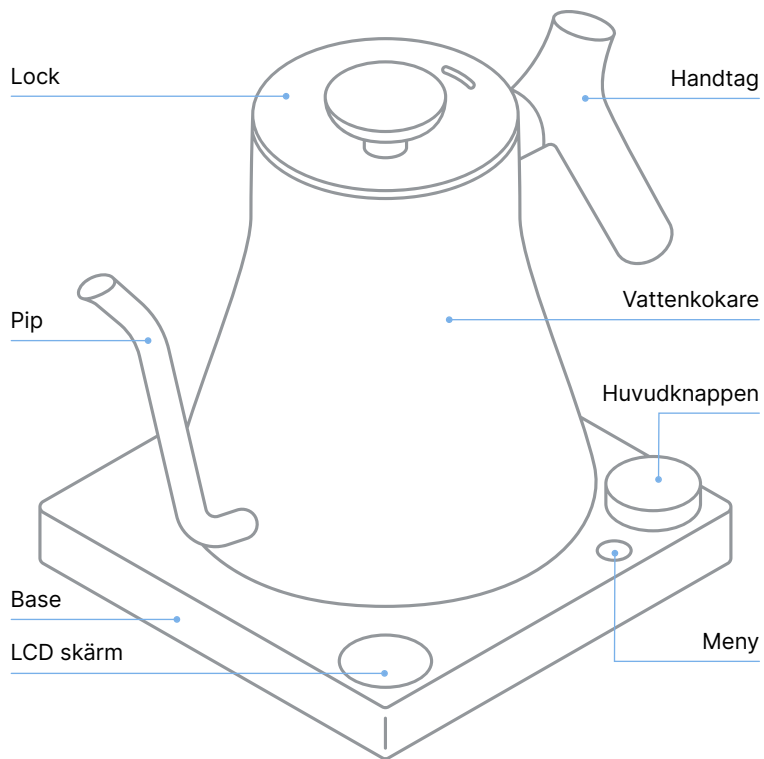
#### Denne garantien omfatter ikke skade på produktet som skyldes:

- Uhell, misbruk, eller reparasjoner utført av uautorisert personell.
- Bruk med feil type strøm eller spenning.
- Unnlatelse av å følge instruksjoner for rengjøring for både vannkoker og rengjørings/rekse-produkter.
- Unnlatelse fra å overholde eventuelle sikringstiltak nevnt i advarslene og instruksjonene i dette dokumentet.

Hvis produktet skulle bli defekt i løpet av garantiperioden, eller om du har spørsmål vedrørende garanti eller service, send oss en epost på **hello@fellowproducts.com**.

Mer informasjon på  
**Fellowproducts.com/Staggekgpromanual**

Diagram A: Produktöversikt



# STAGG EKG PRO

Fellow Industries Inc.

Fellowproducts.com

E-post: [hello@fellowproducts.com](mailto:hello@fellowproducts.com)

San Francisco, CA 94110

**Produktbenämning:** Stagg EKG Pro Electric Pour-Over Kettle  
Patent och patentsökt: [fellowproducts.com/pages/patents](http://fellowproducts.com/pages/patents)  
2 års begränsad garanti | Utvecklad i San Francisco, Tillverkad i Kina

MODELL	TEKNISKA DATA
EP20AAEU	220V-240V   50Hz   1200W-1428W <b>Vikt:</b> 1250 g (inklusive vattenkokare) <b>Mått (LxBxH):</b> 282 mm x 172 mm x 196 mm <b>Malningskapacitet:</b> 0,9 L



Får ej kastas i hushållssoporna. Uttjänt produkt skall lämnas till återvinningsanläggning eller avfallssortering.

Härmed försäkrar Fellow Industries Inc. att radioutrustningstypen, produkt med en inbyggd Wi/Fi Bluetooth-modul, överensstämmer med direktiv 2014/53/EU. Modell EKG PRO EP20AAEU.

Den fullständiga texten till EU-försäkran om överensstämmelse finns tillgänglig på följande Internetadress:  
[fellowproducts.com/pages/eu-declaration-of-conformity](http://fellowproducts.com/pages/eu-declaration-of-conformity)

**ENDAST FÖR HUSHÅLLSBRUK**

Mer information finns på [Fellowproducts.com/pages/gear-guides](http://Fellowproducts.com/pages/gear-guides)

LÄS ALLA INSTRUKTIONER.  
KASTA INTE BORT DENNA SÄKERHETS GUIDE.

**WARNING!**

**Elektriska stötar:** Denna apparat har en jordad stickpropp med tre stift. För att säkerställa skydd mot risk för elektrisk chock eller brand, anslut endast till jordade väggkontakter. Stickproppen passar bara på ett sätt i ett vägguttag. Kringgå inte säkerhetsanordningen i stickproppen genom att modifiera den på något sätt eller använda en adapter. Anslut inte denna apparat till ett uttag med en spänning som är annorlunda än den som anges på den här apparatens undersida.

Använd inte en adapter för den här apparaten.

Apparaten är försedd med en kort strömsladd för att minska risken för att fastna i eller snubbla över en längre sladd. Undvik risk för att överbelasta den elektriska kretsen genom att inte använda någon apparat med hög effekt på samma krets som den här apparaten.

## VIKTIGA SKYDDSÅTGÄRDER

**Innan användning, Läs dessa säkerhetsvarningar noggrant och Använd grytan på rätt sätt. Dessa säkerhetsvarningar är indikerade för säker och korrekt användning av denna produkt, för att förhindra fara för användaren eller andra, och skador på egendom.**

**Vid användning av elektriska apparater ska de grundläggande säkerhetsföreskrifterna alltid följas, inklusive följande:**

- Stagg EKG's elektriska basen är liten och vattenkokare kropp ser slående liknar vår spishäll vattenkokare, men gör inga misstag, de är inte samma! Detta är en elektrisk vattenkokare som inte kan användas på en kamin.
- Placera den inte på eller i närheten av en varm gasbrännare eller en elektrisk brännare, i en uppvärmd ugn eller i en mikrovågsugn.
- Vidrör inte heta ytor på produkten. Använd handtaget hela tiden.
- För att skydda mot brand, elektriska stötar och personskador, doppa inte sladden, kontakten eller någon annan del av grytan eller basen i vatten eller annan vätska.
- Ingen del av Stagg EKG är diskmaskinsäker. Placera inte Stagg EKG eller någon del av Stagg EKG i diskmaskinen.
- Lämna aldrig Stagg EKG oöversiktligt vid användning (inklusive i HOLD-läge).
- Noggrann övervakning är nödvändig när någon apparat används av eller i närheten av barn. Använd inte inom räckhåll för barn.
- Denna apparat är inte avsedd att användas av personer (inklusive barn) med nedsatt fysisk, sensorisk eller mental förmåga, eller brist på erfarenhet och kunskap.
- Barn bör övervakas för att se till att de inte leker med apparaten.
- Dra ut kontakten ur vägguttaget när den inte används och före rengöring.
- Låt svalna innan du sätter på eller tar av delar och innan du Rengör apparaten.

## VIKTIGA SKYDDSÅTGÄRDER (FORTSATT)

- För att koppla från strömkällan, tryck på Main-knappen för att stänga "AV" och sedan ta bort kontakten från vägguttaget. Dra inte i sladden själv eftersom det kan skada sladden och så småningom orsaka elektriska stötar.
- Använd inte Stagg EKG med en skadad sladd eller kontakt, om vattenkokaren inte fungerar, eller om produkten har skadats på något sätt. Lämna apparaten till närmaste auktoriserade serviceverkstad för undersökning, reparation eller justering.
- Kontrollera att huvud matningsspänningen är densamma som den som är märkt på undersidan av grytan.
- För att undvika en elektrisk överbelastning ska du inte använda en annan högeffekts apparat på samma krets.
- Användning av tillbehör bilagor rekommenderas inte av stipendiaten eftersom det kan resultera i brand, elektriska stötar, eller personskador.
- Använd inte utomhus.
- Placera inga redskap i grytan.

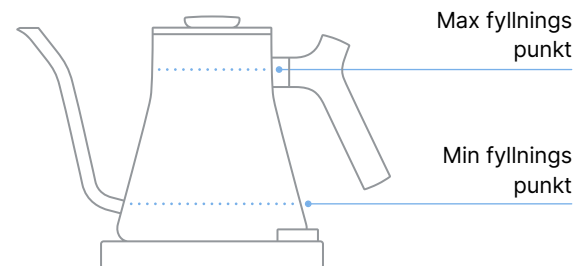
### FÖR ATT FÖRHINDRA SKÅLLNING:

- Använd aldrig grytan utan lock.
- Ta inte bort locket medan grytan kokar.
- Skållning kan inträffa om locket tas bort under bryggningscykeln.
- Var medveten om att ånga avges från pip eller lock, särskilt under påfyllning.
- Vatten kan vara hett under lång tid efter kokning och kan utgöra en skållnings risk. Håll grytan och grytans bas borta från arbetsytans kant och utom räckhåll för barn. Ta inte bort locket förrän grytan svalnat.

### WARNING! Fyll inte på "Max"-punkten som visas i diagrammet nedan.

Om kannan är överfylld kan hett vatten kastas ut vilket ökar risken för brännskador. Se diagram B nedan för referens. Vi föreslår att du använder endast det belopp du behöver för att spara vatten och energi.

#### Diagram B: Påfyllningspunkter



**WARNING! Använd inte torr eller under "min" fyllnings punkt.** Stagg EKG måste ha minst 333 ml/11 fl oz för att fungera. Torrkokning grytan kan resultera i permanenta skador och potentiell brand. "Min" fyllnads punkt är 2,5 cm golvet i grytan. Se Diagram B ovan för referens.

## VIKTIGA SKYDDSÅTGÄRDER (FORTSATT)

- Efter uppäckning Stagg EKG, kasta försiktigt av plastpåsar så att barn och andra inte kan nå dem.
- Låt inte sladden hänga över kanten på bordet eller disken, eller vidrör heta ytor. Använd inte en förlängningsladd.
- Ta bort grytan från ström basen innan du fyller på den. Ta bort all fukt på undersidan av grytan innan du placerar den på ström basen.
- Vattenkokare skall manövreras på en plan yta bort från kanten av disken för att förhindra oavsiktlig tippning.
- Flytta aldrig grytan och grytans bas samtidigt som enheten är i bruk.
- För att undvika brännskador och risk för personskador bör du vara ytterst försiktig när du transporterar vattenkokare med varmt vatten.
- Använd inte grytan om händerna är våta.
- Placera grytan ordentligt på ström basen innan du slår på den.
- Använd endast grytan med den levererade kraft basen. Använd inte någon annan vattenkokare på levererad bas, eller någon annan bas med levererad vattenkokare. Använd endast det ursprungliga, levererade paret tillsammans.
- Efter att du har använt vattenkokare, vänta tills grytan svalnat innan du tar bort locket.
- För att undvika eventuella ång skador, vänd pipen bort från väggar eller skåp under användning.
- Om du sätter ner kannan på en bordsyta, använd en skyddsplatta under kannan efter att den har värmts upp för att förhindra skada på ytor.
- För att minska risken för brand eller elektriska stötar, ta inte bort bottenlocket från basen eller demontera botten eller vattenkokare på något sätt. Det finns inga delar som användaren kan serva inuti. Reparation ska endast utföras av behörig servicepersonal. Öppnings bas eller vattenkokare kommer att resultera i ett tomrum i garanti.
- Använd inte i närvaro av explosiva och/eller brandfarliga ångor.

### VIKTIGT!

Använd endast kannan med den medföljande basen från Fellow. Använd inte någon annan kanna på den medföljande basen eller någon annan bas med den medföljande kannan, såvida den inte specifikt tillhandahållits och rekommenderats av Fellow.

Stagg EKG Pro-basen och kannan är inte kompatibla med baser eller kannor från följande produkter: Stagg EKG, Stagg EKG+, Corvo EKG, eller Stagg Pour-Over Kettle.

- Använd inte för annat än avsett ändamål. Denna apparat är endast avsedd för hemmabruk och kommersiellt bruk. Användning för något annat än avsett ändamål kommer att ogiltigförklara garanti.

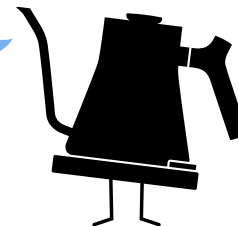
### JORDAD KONTAKT

denna apparat har en jordad, tre stifts kontakt och måste vara jordad med en tre-stifts utlopp när den används. För att säkerställa skydd mot risk för elektriska stötar eller brand, Anslut endast till korrekt jordade uttag. Försök inte att besegra den här säkerhets funktionen.

### VÄRM INTE UPP EN TOM GRYTA

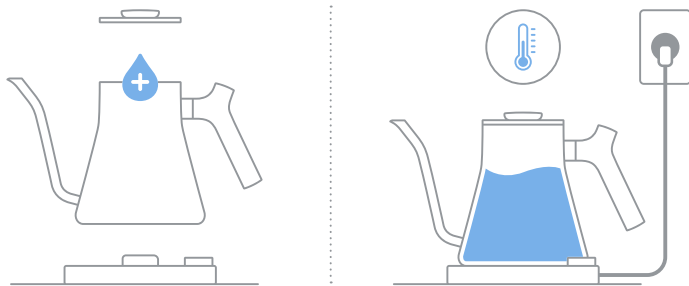
Det dolda värmeelementet i grytans botten skyddas av en automatisk säkerhetsanordning. Om grytan värms upp av misstag utan att vara fylld eller får koka torr, kommer den automatiskt att svalna och sedan stängas av. Om detta händer, koppla ur grytan, fyll med kallt vatten och vänta några minuter innan du byter ut den på basen och koppla in.

SPARA DESSA  
INSTRUKTIONER





### Diagram C: Första Användning



## ANVÄNDA INSTRUKTIONER

### RENGÖRING – FÖRSTA ANVÄNDNING

1. Placera Stagg EKG bas och vattenkokare på en plan, plan yta.
2. Ta bort kannan från basen och lyft locket för att fylla på med vatten. (Ta inte bort locket om det är varmt.)
3. Skölj insidan av kannan, tillsätt sedan vatten till kannan tills den är ungefär halvvägs full (mellan lägsta påfyllningspunkten och högsta påfyllningspunkten i diagram B).
4. Efter tillsats av vatten, sätt locket och se pip inte är nära och/eller vetter mot en vägg eller skåp.
5. Följ säkerhetsinstruktionerna och anslut strömsladden till vägguttaget.
6. Ställ in måltemperatur (se Hög höjd-diagrammet) för att koka vatten.
7. När måltemperaturen (se Hög höjd-diagrammet) är uppnådd, fortsätt koka vattnet i ungefär en minut. Stäng av kannan med ett snabbt tryck på vredet. LCD-skärmen kommer att bli svart.
8. Kassera först kokt vatten; Detta vatten bör inte konsumeras. Din Stagg EKG är nu klar att använda.

### RENGÖRING

Se till att basen är frånkopplad och att kannan har svalnat helt innan du rengör den. Töm ut eventuellt kvarvarande vatten från kannan.

**VARNING: Placera aldrig kannan i vatten eller andra vätskor. Detta kan ge upphov till permanent skada på kannan.**

Placera inte någon del av kannan i en diskmaskin.

Torka av utsidan av kannan och basen med en fuktig trasa eller tvättsvamp och låt dem sedan torka. Använd inte slipande tvålar, rengöringsmedel eller skursvampar på någon del av kannan då det kan skada ytan.

Över tid kan kannan förlora förmågan att uppnå koktemperatur. Detta kan bero på fjällning och mineralavlagringar som kan byggas upp på kannans insida, beroende på din användning och hur hårt vattnet är där du bor. När detta händer, använd en kalkborttagare och följ tillverkarens anvisningar för kalkborttagaren.

### FÖRVARING

Rengör och torka alla delar före förvaring. Förvara kannan i dess låda eller på en ren och torr plats.

Linda aldrig strömsladden runt kannan.

## ANVÄNDA INSTRUKTIONER

Läs alla användningsinstruktioner helt innan du sätter på och använder grytan .

### ANSLUT STAGG EKG PRO TILL WIFI

**FELLOW-APPEN KRÄVS FÖR ATT ANSLUTA TILL INTERNET. STAGG EKG PRO ANSLUTER INTE AUTOMATISKT TILL WIFI.**

1. Hämta Fellow-appen till mobiltelefonen på [Fellowproducts.com/app](https://www.fellowproducts.com/app).
2. Anslut Stagg EKG Pro till ett vägguttag.

3. Kontrollera att Stagg EKG Pro befinner sig på en plats med bra WiFi-täckning.
4. Lär dig namnet och lösenordet till ditt WiFi-nätverk.
5. Öppna Fellow-appen och följ anvisningarna i appen för att ansluta.
6. Nu kan du styra din Stagg EKG Pro från appen.
7. För mer information eller felsökning på WiFi-anslutningen, gå till [Fellowproducts.com/staggekgpromanual](https://www.fellowproducts.com/staggekgpromanual).

### SLÅ PÅ/STÄNGA AV GRYTAN

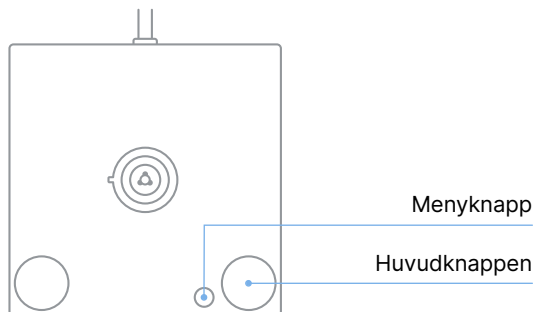
För att slå Stagg EKG på, tryck på Main-knappen och vänta på LCD-skärmen för att lysa. Till vända Stagg EKG bort, pressa knapp och vänta för LCD skärm till vända svart.

### STÄLLA IN EN MÅLTEMPERATUR

Vrid vredet på huvudskärmen när Stagg SKG är påslagen för att ändra målteperaturen. Vrid vredet medurs för att öka målteperaturen. Vrid vredet moturs för att minska målteperaturen.

När du har kommit till din önskade temperatur, sluta vrida vredet. Stagg EKG kommer att visa den inställda temperaturen för ett ögonblick och sedan börja värma till den önskade temperaturen. Om kannan tas bort

#### Diagram D: PÅ/AV, Öppna meny



från och sedan återplaceras på basen kommer den att börja värma upp till din målteperatur på en gång.

**VIKTIGT:** Om förkokning är aktiverat så kommer kannan först att värma upp till kokning innan den kyls ner till målteperaturen.

### ANVÄNDNING VID HÖGA HÖJDER

**VARNING:** Vatten kokar vid lägre temperaturer vid högre höjder (se Höjd-diagrammet nedan). Om den inställda temperaturen är högre än vattnets kokpunkt vid en specifik höjd kommer Stagg EKG att fortsätta att ge värme för att försöka nå målteperaturen. Detta ger upphov till extra energianvändning och kan potentiellt skada kannan.

Genom att använda höjdställningar kommer Stagg EKG att avgöra den maximala tillåtna målteperaturen baserat på den användarangivna höjden för att minska energislöseri och risk att skada kannan.

### ÖPPNA MENY

Stagg EKG Pro har flera bryggverktyg. För att öppna menyn:

1. Tryck på knappen för att starta kannan och börja värma upp vattnet. LCD-displayen tänds.
2. Tryck på menyknappen för att öppna huvudmenyn.
3. När menyn har öppnats, vrid knappen med- eller moturs för att navigera mellan menyalternativen. Tryck på knappen för att öppna och bekräfta ett val.
4. Tryck på menyknappen för att stänga menyn.
5. Tryck på knappen för att stänga av kannan. LCD-displayen släcks.

För mer information om menyn, besök [Fellowproducts.com/staggekgpromanual](https://www.fellowproducts.com/staggekgpromanual) eller skanna denna QR-kod.



## ANVÄNDNING VID HÖGA HÖJDER

**VARNING:** Vatten kokar vid lägre temperaturer vid högre höjder (se Hög Höjd-diagrammet nedan). Om den inställda temperaturen är högre än vattnets kokpunkt vid en specifik höjd kommer Stagg EKG att fortsätta att ge värme för att försöka nå måltemperaturen. Detta ger upphov till extra energianvändning och kan potentiellt skada kannan.

Genom att använda höjdställningar kommer Stagg EKG att avgöra den maximala tillåtna måltemperaturen baserat på den användarangivna höjden för att minska energislöseri och risk att skada kannan.

**HÖGT HÖJD DIAGRAM**

Höjd	Kokpunkt Vatten
0 m	100°C
150 m	99.5°C
305 m	99°C
610 m	98°C
1524 m	95°C
1829 m	94°C
2438 m	91.9°C
3048 m	89.8°C
3658 m	87.6°C
4267 m	85.5°C

## SERVICE

För service, reparation, eller några frågor om din apparat, första besök **Fellowproducts.com/Staggekgpromanual**. Om du fortfarande har frågor, kontakta oss på **help@fellowproducts.com**.

Skicka INTE tillbaka produkten till tillverkaren eller ta med den till ett Service Center utan att först prata med en annan kundtjänstrepresentant.

### 2 ÅRS BEGRÄNSAD GARANTI

Fellow garanterar att denna produkt är fri från defekter som uppstått genom fel vid tillverkningen eller i materialet under en tvåårsperiod från det ursprungliga inköpsdagen.

#### Denna garanti gäller endast för:

- Den ursprungliga konsumenten.
- När vattenkokare köps via auktoriserade återförsäljare.
- Med det ursprungliga försäljningskvittot för inköpsbevis för att göra ditt garantianspråk.

#### Denna garanti omfattar inte skador på produkten som härrör från:

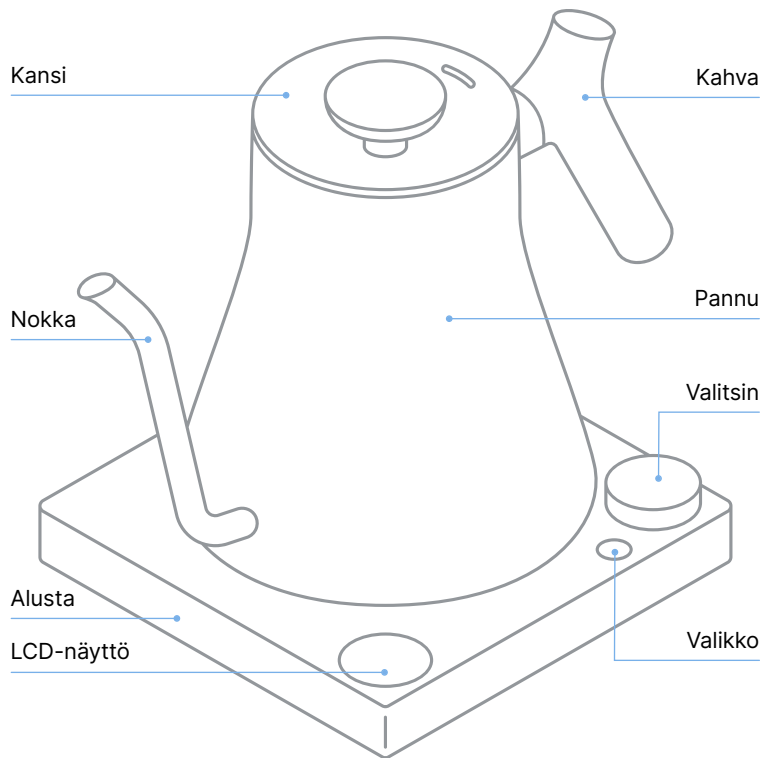
- Olyckshändelse, felaktig användning eller reparationer som utförs av obehörig personal.
- Drift med fel typ av ström eller spänning.
- Underlåtenhet att följa Rengöringsinstruktioner för både vattenkokare och rengöring/avkalkning agenter.
- Underlåtenhet att efterleva säkerhetsföreskrifter som anges i varningarna och anvisningarna i detta dokument.

Om produkten skulle bli defekt inom garantiperioden, eller om du har frågor om garanti eller service, maila oss på **hello@fellowproducts.com**

Mer information finns på:

**Fellowproducts.com/staggekgpromanual**

## Kaavio A: Tuotekaavio



# STAGG EKG PRO

Fellow Industries Inc.

Fellowproducts.com

Sähköposti: [hello@fellowproducts.com](mailto:hello@fellowproducts.com)

San Francisco, CA 94110

**Tuotenimi:** Stagg EKG Pro Sähköinen kaatopannu

US-patentteja ja patentteja vireillä: [fellowproducts.com/pages/patents](https://fellowproducts.com/pages/patents)  
2 vuoden rajoitettu takuu | Suunniteltu San Franciscossa, valmistettu Kiinassa

MALLI	TEKNISET TIEDOT
EP20AAEU	220V-240V   50Hz   1200W-1428W <b>Paino:</b> 1250 g (sisältää pannunalustan) <b>Mitat (PxLxK):</b> 282 × 172 × 196 mm <b>Kapasiteetti:</b> 0,9 l



Älä hävitä lajittelemattomana jätteenä. Toimitettava erilliseen keräyslaitokseen uudelleenkäyttöä ja kierrätystä varten.

Fellow Industries Inc. ilmoittaa, että radiolaitetyyppi, tuote, joka on upotettu Wi/Fi Bluetooth -moduuliin, on 2014/53/EU-direktiivin mukainen. Mallit EKG PRO EP20AAEU.

EU:n vaatimustenmukaisuusvakuutuksen koko teksti on nähtävissä internet-osoitteessa:

[fellowproducts.com/pages/eu-declaration-of-conformity](https://fellowproducts.com/pages/eu-declaration-of-conformity)

## VAIN KOTITALOUSKÄYTTÖÖN

Lisätietoja osoitteesta [Fellowproducts.com/pages/gear-guides](https://fellowproducts.com/pages/gear-guides)

## LUE KAIKKI OHJEET JA NOUDATA NIITÄ. SÄILYTÄ TÄMÄ TURVALLISUUS- JA KUNNOSSAPITO- OPAS TULEVAA KÄYTTÖÄ VARTEN.

### VAROITUS!

**Sähköiskun vaara:** Tällä laitteella on maadoitettu, kolmipiikkinen pistoke. Varmistaaksesi sähköiskun tai tulipalon vaaralta suojautumisen, liitä laite vain oikein maadoitettuun pistorasiaan. Pistoke sopii pistorasiaan vain yhdellä tavalla. Älä ohita pistokkeen turvallisuustarkoitusta mukauttamalla pistoketta millään tavalla tai käyttämällä sovitinta. Älä liitä tätä laitetta pistorasiaan, jonka jännite on muu kuin tämän laitteen pohjassa on määritetty.

Älä käytä tämän laitteen kanssa sovitinta.

Toimitukseen kuuluvan lyhyen virtajohdon tarkoitus on pienentää pitkän johdon aiheuttamaa sotkeutumisen- tai kaatumisvaaraa. Älä käytä sähköpiirin ylikuormituksen välttämiseksi mitään paljon tehoa kuluttavia laitteita samassa virtapiirissä tämän laitteen kanssa.

## TÄRKEITÄ TURVATOIMIA

**Lue nämä turvallisuusvaroitukset huolellisesti ennen käyttöä ja käytä tuotetta (Kaavio A) oikein. Näiden turvallisuusvaroitusten tarkoitus on varmistaa tämän tuotteen oikea ja turvallinen käyttö, jolla estetään vaara käyttäjälle ja sivullisille sekä omaisuusvahingot.**

**Sähkölaitteita käytettäessä on aina noudatettava perusturvallisuusvarotoimia, mukaan lukien seuraavat:**

- Stagg EKG Pron sähköalusta on pieni ja pannun runko näyttää hämmästyttävän samanlaiselta kuin liedellä käytettävä pannu, mutta älä anna sen erehdyttää, ne eivät samoja! Tämä on sähköpannu, jota EI voi käyttää liedellä.

- Älä sijoita lähelle kuumaa kaasu-uunia tai sähköliettä tai niiden päälle, kuumennettuun uuniin tai mikroaaltouuniin.
- Älä kosketa tuotteen kuumia pintoja. Käytä aina kahvaa.
- Tulipalolta, sähköiskulta ja henkilövammoilta suojaamiseksi, älä upota virtajohtoa, pistoketta tai pannun tai alustan muuta osaa veteen tai muuhun nesteeseen.
- Mikään Stagg EKG Pron osa ei ole astianpesukonekestävä. Älä laita Stagg EKG Protta tai mitään sen osia astianpesukoneeseen.
- Älä jätä koskaan Stagg EKG Protta valvomatta käytön aikana tai Pitotilassa.
- Tarkka valvonta on välttämätöntä, kun mitä tahansa laitetta käytetään lähellä lapsia.
- Älä käytä sitä lasten ulottuvilla.
- Tätä laitetta ei ole tarkoitettu sellaisten henkilöiden (lapset mukaan lukien), joilla on heikentyneet fyysiset, aistilliset tai henkiset kyvyt, tai joilta puuttuu kokemus ja tiedot.
- Lapsia on valvottava, jotta varmistetaan, etteivät he leiki laitteella.
- Irrota laite pistorasiasta, kun sitä ei käytetä pitkään aikaan ja ennen puhdistusta.
- Anna laitteen jäähtyä ennen osien lisäämistä tai irrottamista ja ennen puhdistusta.
- Irrottaaksesi laitteen virtalähteestä, paina valitsinta kytkeäksesi laitteen "OFF (Pois)" -tilaan ja irrota sitten pistoke pistorasiasta. Älä vedä johdosta, se voi vahingoittaa johtoa ja aiheuttaa lopulta sähköiskun.
- Älä käytä Stagg EKG Protta, jos sen johto on vahingoittunut, jos pannussa on toimintahäiriö tai jos tuote on millään tavoin vahingoittunut. Toimita laite lähimpään valtuutettuun huoltokeskukseen tutkittavaksi, korjattavaksi tai säädettäväksi.
- Varmista, että verkkojännitteesi on sama kuin pannun pohjaan merkitty.

## TÄRKEITÄ TURVATOIMIA JATKUU

- Älä käytä sähköpiirin ylikuormituksen välttämiseksi mitään paljon tehoa kuluttavia laitteita samassa virtapiirissä.
- Muiden kuin Fellowin suosittelemien lisävarusteiden käyttö voi johtaa tulipaloon, sähköiskuun tai vammaan.
- Älä käytä laitetta ulkona.
- Älä laita mitään keittiövälineitä pannun sisään.
- Purettuasi pannun pakkauksesta, hävitä kaikki muovipussit varmistaaksesi etteivät ne ole lasten tai muitten ulottuvilla.
- Älä anna virtajohdon roikkua pöydän tai keittiötason reunan yli tai koskettaa kuumia pintoja. Älä käytä jatkojohtoa.
- Poista pannu pannunalustasta ennen täyttöä. Kuivaa kaikki kosteus pannun pohjasta ennen sen asettamista pannunalustaan.
- Pannua on käytävä tasaisella pinnalla loitolla pöydän reunasta vahingossa putoamisen estämiseksi.
- Älä koskaan siirrä pannua ja pannunalustaa yhdessä, kun yksikkö on käytössä.

### **VAROITUS! PALOVAMMOJEN ESTÄMINEN:**

Älä koskaan käytä pannua ilman kantta.

Älä poista kantta, kun pannu kiehuu.

Palovamma voi syntyä, jos kansi poistetaan kuumennuksen ja keittämisen aikana.

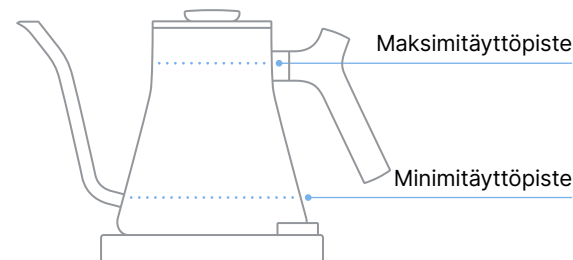
Varo nokasta tai kannesta tulevaa höyryä erityisesti uudelleentäytön yhteydessä.

Vesi voi pysyä kuumana pitkiä aikoja kiehumisen jälkeen, mikä muodostaa palovamman vaaran. Pidä pannu ja pannun alusta etäällä työtason reunasta ja poissa lasten ulottuvilta. Älä poista kantta ennen kuin pannu on jäähtynyt.

### **VAROITUS: Älä täytä laitetta seuraavan kaavion maksimitäyttömerkinnän yläpuolelle.**

Jos pannua on täytetty liikaa, kuumaa vettä voi valua, mikä voi aiheuttaa palovamman. Katso tiedot seuraavasta kaaviosta B. On suositeltavaa käyttää vain tarvitsemasi vesimäärä veden ja energian säästämiseksi.

#### **Kaavio B: Täyttöpisteet**



### **VAROITUS: Älä käytä ilman vettä tai alle minimitäyttömerkinnän.**

Stagg EKG Pron toimimiseksi vesimäärän on oltava vähintään 333 ml. Pannun kiehattaminen kuivaksi voi johtaa pannun pysyvään vahingoittumiseen ja tulipalovaaraan. Minimi täyttöpiste on 2,54 cm pannun pohjan yläpuolella. Katso tiedot yläpuolella kaaviosta B.

## TÄRKEITÄ TURVATOIMIA JATKUU

- Palovammojen ja henkilövahinkojen välttämiseksi, ole erityisen varovainen, kun kannat kuumaa vettä sisältävää pannua.
- Älä käytä pannua, jos kätesi ovat märät.
- Sijoita pannu oikein pannunalustaan ennen sen kytkemistä päälle.
- Odota pannun käytön jälkeen, että se on jäähtynyt ennen kuin poistat kannen. Mahdollisen höyryvahingon välttämiseksi, käännä nokka käytön aikana pois päin seinistä tai komeroista.
- Jos pannun runko asetetaan pöytäpinnalle, käytä pannunalustaa kuuman pannun alla pintojen vahingoittumisen estämiseksi.
- Välttääksesi tulipalon tai sähköiskun vaaran, älä poista pohjakantta alustasta tai pura alustaa tai pannua millään tavalla. Laitteen sisällä ei ole käyttäjän huollettavia osia. Vain valtuutettu henkilöstö saa suorittaa korjaustöitä. Alustan tai pannun purkaminen johtaa takuun mitätöitymiseen.
- Älä käytä laitetta, jos tiloissa on räjähtäviä ja/tai syttyviä höyryjä.
- Älä käytä pannua muuhun kuin sen käyttötarkoitukseen. Tämä laite tarkoitettu vain kotitalous- ja kaupalliseen käyttöön. Laitteen käyttö muuhun kuin sen käyttötarkoitukseen mitätöi takuun.

### TÄRKEÄÄ!

Käytä pannua ainoastaan Fellowin toimittaman pannun alustan kanssa.

Älä käytä mitään muuta pannua toimitukseen kuuluvalla alustalla tai muuta alustaa toimitukseen kuuluvan pannun kanssa, jollei Fellow ole sitä erityisesti toimittanut ja suositellut.

Stagg EKG Pron alusta ja pannu eivät ole yhteensopivia Stagg EKG:n, Stagg EKG+:n, Corvo EKG:n tai Stagg Pour-Over Kettlen alustan tai pannun kanssa.

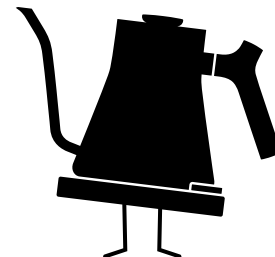
## MAADOITETTU PISTOKE

Tällä laitteella on maadoitettu kolmipiikkinen pistoke ja se on käytettäessä maadoitettava kolminapaisella pistorasialla. Varmistaaksesi sähköiskun tai tulipalon vaaralta suojautumisen, liitä laite vain oikein maadoitettuun pistorasiaan. Älä yritä ohittaa tätä turvallisuusominaisuutta.

## ÄLÄ KUUMENNA TYHJÄÄ PANNUA

Pannun rungon sisällä oleva kuumennuselementti on suojattu automaattisella turvallisuuslaitteella. Jos pannua kuumennetaan vahingossa ilman vettä tai sen annetaan kiehua kuivaksi, laite jäähtyy automaattisesti ja sammuu sen jälkeen. Jos näin tapahtuu, irrota pannu pistorasiasta, täytä pannu kylmällä vedellä ja odota muutama minuutti ennen kuin asetat sen takaisin alustalle ja liität pistorasiaan.

SÄILYTÄ NÄMÄ  
OHJEET

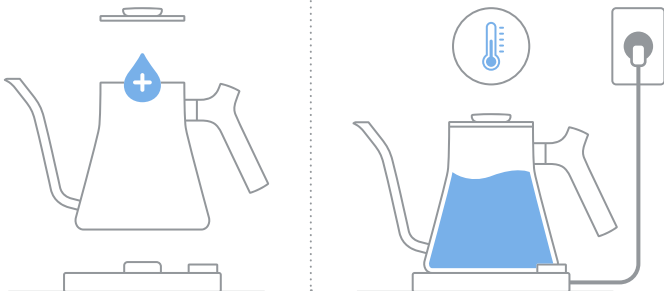


# ENSIMMÄINEN KÄYTTÖ

## PUHDISTUS - ENSIMMÄINEN KÄYTTÖ

1. Aseta Stagg EKG Pron alusta ja pannu tasaiselle, vaakasuoralle pinnalle.
2. Poista pannu alustasta ja poista kansi lisätäkseesi vettä. (Älä poista kantta, jos se on kuuma.)
3. Huuhtele pannun sisäpuoli ja lisää sitten pannuun vettä noin puoleen väliin (Kaavion B minimi- ja maksimitäyttöpisteen väliin).
4. Lisättyäsi vettä, laita kansi paikalleen ja varmista, ettei nokka ole lähellä tai kohti seinää tai kaappia.
5. Liitä virtajohto turvallisuusohjeita noudattaen seinäpistorasiaan.
6. Aseta tavoitelämpötila (katso Korkea paikka -kaavio) veden kiehattamiseksi.
7. Kun tavoitelämpötila (katso Korkea paikka -kaavio) on saavutettu, jatka veden kiehattamista noin minuutti. Kytke pannu pois päältä nopealla valitsimen painalluksella. LCD-näyttö muuttuu mustaksi.
8. Kaada pois pannun sisällä oleva vesi. Tätä vettä ei saa käyttää juomiin. Stagg EKG Pro on nyt käyttövalmis.

### Kaavio C: Ensimmäinen käyttö



## PUHDISTUS

Varmista ennen puhdistusta, että alusta on irrotettu pistorasiasta, ja että pannu on jäähtynyt kokonaan. Tyhjennä jäljelle jäänyt vesi pannusta.

**VAARA: Älä koskaan upota pannua veteen tai muihin nesteisiin. Se voi aiheuttaa pannulle pysyvää vahinkoa.**

Älä laita mitään pannun osia astianpesukoneeseen.

Pyyhi pannun ulkopinta ja alusta kostealla liinalla tai sienellä ja kuivaa se lopuksi. Älä käytä hiovia saippuuita, puhdistusaineita tai hiontatuppoja mihinkään pannun osaan, se voi vahingoittaa pinnoitetta.

Ajan kuluessa pannu voi menettää kyvyn saavuttaa kiehumislämpötilan. Tämä voi johtua kalkki- ja mineraalijäämien kertymisestä pannun sisään laiteen käytön ja alueesi veden kovuuden mukaan. Jos näin käy, käytä kalkinpoistoaainetta sen valmistajan ohjeiden mukaisesti.

## SÄILYTYS

Puhdista ja kuivaa kaikki osat ennen säilytystä. Säilytä pannua laatikossaan puhtaassa, kuivassa paikassa.

Älä koskaan kiedo sähköjohtoa pannun ympärille.

## KÄYTTÖ

Lue koko tämä Turvallisuus- ja kunnossapito-opas kokonaan ennen kuin kytket pannun päälle ja käytät sitä.

### LIITÄ STAGG EKG PRO WI-FI-VERKKOON

**FELLOW -SOVELLUS TARVITAAN LIITTÄMISEEN. STAGG EKG PRO EI MUODOSTA AUTOMAATTISESTI YHTEYTTÄ WI-FI-VERKKOON.**

1. Lataa Fellow-sovellus puhelimeesi osoitteessa [Fellowproducts.com/app](https://www.fellowproducts.com/app).
2. Varmista, että Stagg EKG Pro on liitetty pistorasiaan.
3. Varmista, että Stagg EKG Pro on alueella, jossa on hyvä Wi-Fi-peitto.



4. Wi-Fi-verkon nimi ja Wi-Fi-verkon salasana on oltava tiedossa.
5. Avaa Fellow-sovellus ja muodosta yhteys toimimalla sovelluksen ohjeiden mukaisesti.
6. Saadaksesi lisätietoja tai tehdäksesi Wi-Fi-yhteyden vianetsinnän, siirry osoitteeseen [Fellowproducts.com/staggekgpromanual](https://www.fellowproducts.com/staggekgpromanual).

### PANNUN KYTKEMINEN PÄÄLLE/POIS

Kytkeäksesi Stagg EKG Pron päälle, paina valikkopainiketta TAI valitsinta ja odota, että näytön valo syttyy. Kytkeäksesi Stagg EKG Pron pois päältä, paina valitsinta ja odota, kunnes näyttö muuttuu mustaksi.

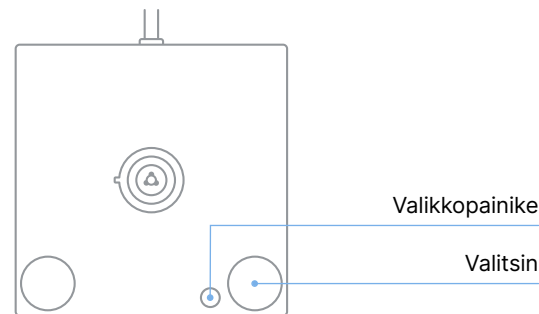
### TAVOITELÄMPÖTILAN ASETTAMINEN

Päänäytöstä, kun Stagg EKG Pro on kytketty päälle, kierrä valitsinta tavoitelämpötilan muuttamiseksi. Kierrä valitsinta myötäpäivään lisätäksesi tavoitelämpötilaa. Kierrä valitsinta vastapäivään pienentääksesi tavoitelämpötilaa.

Kun pääset haluamaasi lämpötilaan, lopeta valitsimen kiertäminen. Stagg EKG Pro näyttää hetken asetettua lämpötilaa ja aloittaa sitten kuumennuksen haluttuun lämpötilaan. Jos pannu poistetaan alustalta ja asetetaan takaisin, pannu aloittaa heti kuumennuksen asettamaasi tavoitelämpötilaan.

**TÄRKEÄÄ:** Jos Esikiehuutus on käytössä, pannu kuumentaa ensin veden kiehuvaaksi ja antaa sen sitten jäähtyä tavoitelämpötilaasi.

### Kaavio D: PÄÄLLE/POIS, Valikkokäyttö



### VALIKON KÄYTTÖ

Stagg EKG Pro -tuotteessa on joukko kahvinkeitto työkaluja. Valikkoon siirtyminen:

1. Paina valitsinta kytkeäksesi pannun päälle ja käynnistäaksesi veden kuumentamisen. LCD-näyttö kytkeytyy päälle.
2. Paina valikkopainiketta navigoidaksesi päävalikkoon.
3. Kun olet päävalikossa, kierrä valitsinta myötä- tai vastapäivään navigoidaksesi käytettävissä olevien valikkovalintojen välillä. Paina valitsinta siirtyäksesi tai vahvistaaksesi valinnan.
4. Paina valikkopainiketta poistuaksesi valikosta.
5. Paina valitsinta kytkeäksesi pannun pois päältä. LCD-näyttö muuttuu mustaksi.

Katso lisätietoja valikosta osoitteesta [Fellowproducts.com/staggekgpromanual](https://www.fellowproducts.com/staggekgpromanual) tai skannaa tämä QR-koodi.



## KORKEA PAIKKA -KÄYTTÖ

**VAARA:** Vesi kiehuu alhaisemmissa lämpötiloissa korkeilla paikoilla (katso Korkea paikka -kaavio alla). Jos asetettu lämpötila on korkeampi kuin veden kiehumispiste annetulla korkeudella, Stagg EKG Pro jatkaa kuumentamista tavoitelämpötilaan pääsemiseksi. Tämä aiheuttaa energian liikkäyttöä ja pannun vahingoittumisen mahdollisuuden.

**Korkeus**-asetusta käyttämällä Stagg EKG Pro määrittää sallitun maksimilämpötilan perustuen käyttäjän syöttämään korkeuteen energian tuhlauksen vähentämiseksi ja pannun vahingoittumisen välttämiseksi.

**KORKEA PAIKKA -KAAVIO**

Korkeus	Veden kiehumispiste
0 m	100 °C
150 m	99,5 °C
305 m	99 °C
610 m	98 °C
1524 m	95 °C
1829 m	94 °C
2438 m	91,9 °C
3048 m	89,8 °C:
3658 m	87,6 °C:
4267 m	85,5 °C:

## HUOLTO

Laitteen huoltoa varten, tai jos ilmenee kysyttävää laitteesta, siirry ensin osoitteeseen [Fellowproducts.com/EKGmanual](https://www.fellowproducts.com/EKGmanual). Jos sinulle jää edelleen kysyttävää, ota yhteyttä osoitteeseemme [Help.fellowproducts.com](mailto:Help.fellowproducts.com).

ÄLÄ lähetä tuotetta takaisin valmistajalle tai toimita sitä huoltokeskukseen ennen kuin olet keskustellut asiasta Fellow-asiakaspalvelun edustajan kanssa.

### 2 VUODEN RAJOITETTU TAKUU

Fellow takaa tämän tuotteen olevan vailla viallisesta materiaalista tai työstä johtuvia puutteita kahden vuoden ajan kuluttajan alkuperäisestä ostopäivämäärästä alkaen.

#### Tämä takuu on voimassa vain:

- Alkuperäiselle ostajalle.
- Pannuille, jotka on ostettu valtuutetuilta jälleenmyyjiltä.
- Pannuille, joilla on ostositteena alkuperäinen myyntikuitti.

#### Tähän takuuseen ei sisälly tuotteen vahinko, joka on aiheutunut:

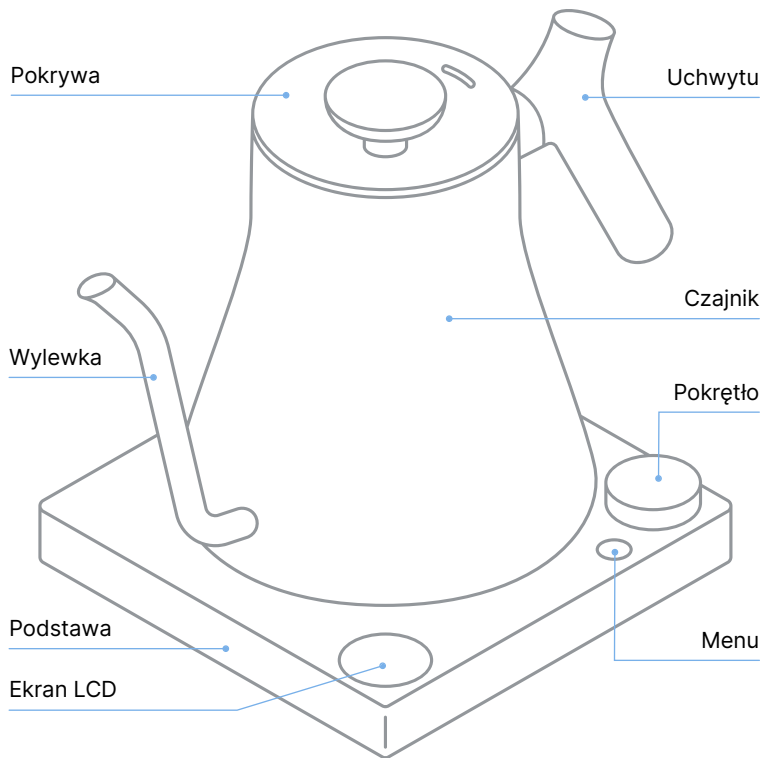
- Onnettomuudesta, väärinkäytöstä tai valtuuttamattoman henkilön tekemistä korjauksista.
- Käytöstä vääranäntyyppisellä virralla tai jännitteellä.
- Sekä pannun että puhdistus-/kalkinpoistoaineiden puhdistusohjeiden noudattamisen laiminlyönnistä.
- Tämän asiakirjan varoituksissa ja ohjeissa listattujen turvatoimien noudattamatta jättämisestä.

Jos tuote vikaantuu takuuajana, tai jos sinulla on kysyttävää takuusta tai palvelusta, lähetä meille sähköpostia osoitteeseen

**[hello@fellowproducts.com](mailto:hello@fellowproducts.com)**.

Katso lisätietoja osoitteesta:

**[Fellowproducts.com/staggekgpromanual](https://www.fellowproducts.com/staggekgpromanual)**



# STAGG EKG

Fellow Industries Inc.

Fellowproducts.com

Email: [hello@fellowproducts.com](mailto:hello@fellowproducts.com)

San Francisco, CA 94110

**Nazwa produktu:** Stagg EKG Pro Electric Pour-Over Kettle

Patenty zgłoszone i oczekujące: [fellowproducts.com/pages/patents](https://fellowproducts.com/pages/patents)  
2-letnia ograniczona gwarancja | A Zaprojektowano w San Francisco, wyprodukowano w Chinach

MODEL	DANE TECHNICZNE
EP20AAEU	220V-240V   50Hz   1200W-1428W <b>Waga:</b> 1250 g (w tym podstawa czajnika) <b>Wymiary (dł. x szer. x wys.):</b> 2282 mm x 172 mm x 196 mm <b>Pojemność młynka:</b> 0,9 L



Zużytego sprzętu nie należy wyrzucać razem z odpadami domowymi. Należy go oddać do odpowiedniego punktu zbiórki i recyklingu.

Niniejszym, Fellow Industries Inc. oświadcza, że typ urządzenia radiowego, produkt z wbudowanym modułem Wi/Fi Bluetooth, jest zgodny z Dyrektywą 2014/53/UE. Modele EKG PRO EP20AAEU.

Pełny tekst deklaracji zgodności UE jest dostępny pod następującym adresem internetowym:  
[fellowproducts.com/pages/eu-declaration-of-conformity](https://fellowproducts.com/pages/eu-declaration-of-conformity)

**WYŁĄCZNIE DO UŻYTKU DOMOWEGO**

Więcej informacji: [Fellowproducts.com/pages/gear-guides](https://fellowproducts.com/pages/gear-guides)

**PRZECZYTAJ WSZYSTKIE INSTRUKCJE.  
NIE WYRZUCAJ TEJ INSTRUKCJI BEZPIECZEŃSTWA.**

**OSTRZEŻENIE!**

**Niebezpieczeństwo porażenia prądem:** To urządzenie ma uziemioną wtyczkę z trzema bolcami. Aby zapewnić ochronę przed ryzykiem porażenia prądem lub pożaru, podłączaj wyłącznie do prawidłowo uziemionych gniazdek. Wtyczka pasuje do gniazdka tylko w jeden sposób. Nie pomijaj funkcji bezpieczeństwa wtyczki, modyfikując ją w jakikolwiek sposób lub używając adaptera. Nie podłączaj urządzenia do gniazdka o napięciu innym niż podane na spodzie urządzenia.

Nie używaj adaptera z tym urządzeniem.

W skład zestawu wchodzi krótki przewód zasilający, który zmniejsza ryzyko zaplątania się albo potknięcia o dłuższy przewód. Aby uniknąć przeciążenia obwodu elektrycznego, nie należy używać żadnych urządzeń o dużej mocy podłączonych do tego samego obwodu co to urządzenie.

## **WAŻNE ŚRODKI BEZPIECZEŃSTWA**

**Przed użyciem dokładnie zapoznaj się z ostrzeżeniami dotyczącymi bezpieczeństwa i używaj czajnika w odpowiedni sposób. Stosowanie się do niniejszych zaleceń jest gwarancją bezpiecznego i prawidłowego użytkowania tego produktu, a także pozwoli uniknąć zagrożeń dla użytkownika lub innych osób oraz szkód materialnych.**

**Podczas korzystania z urządzeń elektrycznych należy zawsze przestrzegać podstawowych środków ostrożności, w tym:**

- Elektryczna podstawa Stagg EKG jest mała, a korpus czajnika wygląda uderzająco podobnie do naszego czajnika przeznaczonego do kuchenek gazowych/indukcyjnych/elektrycznych, ale niech to Cię nie zmyli, to nie to samo! To jest czajnik elektryczny, którego nie można używać na płycie kuchennej.

- Nie umieszczać na palniku gazowym lub elektrycznym, w piekarniku lub kuchenke mikrofalowej, ani w ich pobliżu.
- Nie dotykać gorących powierzchni produktu. Zawsze należy korzystać z uchwytu.
- Aby zapobiec pożarowi, porażeniu prądem elektrycznym i obrażeniom osób, nie należy zanurzać przewodu, wtyczki ani żadnej innej części czajnika lub podstawy w wodzie lub innym płynie.
- Żadna część Stagg EKG nie nadaje się do mycia w zmywarce. Nie należy wkładać urządzenia Stagg EKG ani żadnej jego części do zmywarki.
- Nigdy nie należy pozostawiać Stagg EKG bez nadzoru podczas użytkowania (również w trybie HOLD).
- Należy zachować szczególną ostrożność, gdy urządzenie jest używane przez dzieci lub w ich pobliżu.
- Używać poza zasięgiem dziecka.
- Niniejsze urządzenie nie jest przeznaczone do użytkowania przez osoby (w tym dzieci) o ograniczonych zdolnościach ruchowych, czuciowych lub umysłowych, lub osoby nieposiadające doświadczenia i wiedzy.
- Należy zwrócić szczególną uwagę na to, aby dzieci nie bawiły się urządzeniem.
- Należy odłączyć wtyczkę od gniazdka, gdy nie jest używana oraz przed rozpoczęciem czyszczenia.
- Pozostawić do ostygnięcia przed zamontowaniem lub zdjęciem części oraz przed czyszczeniem urządzenia.
- Aby odłączyć urządzenie od źródła zasilania, należy „WYŁĄCZYĆ” urządzenie, a następnie wyjąć wtyczkę z gniazdka. Nie należy ciągnąć za przewód, ponieważ może to spowodować jego uszkodzenie i porażenie prądem.
- Nie należy używać urządzenia Stagg EKG jeśli przewód lub wtyczka zostały uszkodzone, jeżeli czajnik działa wadliwie lub jeżeli produkt

## WAŻNE ŚRODKI BEZPIECZEŃSTWA (NIEPRZERWANY)

został w jakikolwiek sposób uszkodzony. Urządzenie należy zwrócić do najbliższego autoryzowanego serwisu w celu przeprowadzenia diagnostyki, naprawy albo regulacji.

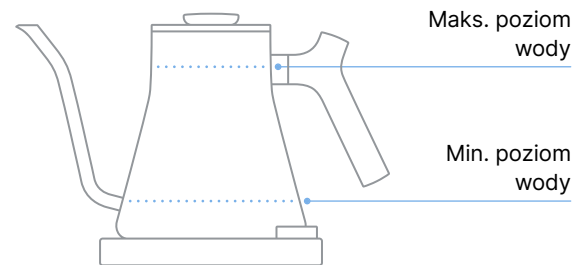
- Należy upewnić się, że napięcie zasilania sieciowego jest takie samo, jak napięcie oznaczone na spodzie czajnika.
- Aby zapobiec przeciążeniu elektrycznemu, nie należy używać innego urządzenia wysokonapięciowego na tym samym obwodzie.
- Fellow nie zaleca stosowania dodatkowych akcesoriów, ponieważ może to spowodować pożar, porażenie prądem elektrycznym lub obrażenia ciała.
- Nie używać na zewnątrz.
- Nie wkładać żadnych przedmiotów do czajnika.
- Po rozpakowaniu Stagg EKG, należy zutylizować plastikowe woreczki, aby pozostały poza zasięgiem dzieci.
- Należy uważać, aby przewód nie zwisał z krawędzi stołu lub blatu, ani nie dotykał gorących powierzchni.

### ABY UNIKNĄĆ POPARZEŃ:

- Nigdy nie używaj czajnika bez pokrywy.
- Nie zdejmuj pokrywy, gdy woda w czajniku wrze.
- Istnieje ryzyko poparzenia, jeśli pokrywa zostanie zdjęta pomiędzy cyklami gotowania wody.
- Podczas ponownego napełniania należy pamiętać, że z wylewki lub pokrywy będzie wydobywać się para wodna.
- Woda może pozostać gorąca przez długi czas po wrzeniu i może grozić poparzeniem. Przechowuj czajnik i jego podstawę zasilającą z dala od krawędzi powierzchni roboczej i poza zasięgiem dzieci. Nie zdejmuj pokrywy, dopóki czajnik nie ostygnie.

**Ostrzeżenie!** Nie należy nalewać wody powyżej oznaczonego punktu 'max.', jak pokazano na poniższym schemacie. Jeśli czajnik jest przepelniony, może dojść do wylewu gorącej wody, co zwiększa ryzyko poparzenia. Diagram B przedstawia punkty minimalnego i maksymalnego poziomu wody. Sugerujemy używanie tylko takiej ilości wody, jaka jest potrzebna, aby oszczędzać wodę i energię.

### Schemat B: Wypełnić punkty



**Ostrzeżenie!** Nie uruchamiać bez wody, lub gdy jej poziom znajduje się poniżej punktu napełnienia "min." Aby urządzenie Stagg EKG działało, musi się w nim znajdować co najmniej 333 ml/11 fl. oz. Punkt "min." znajduje się na 2,5 cm od dna czajnika, jak przedstawiono na Diagramie B powyżej.

### WAŻNE!

Używaj czajnika tylko z podstawą dostarczoną przez firmę Fellow. Nie używaj żadnego innego czajnika na dostarczonej podstawie, ani żadnej innej podstawy z dostarczonym czajnikiem, chyba że zostało to wyraźnie przewidziane i zalecone przez firmę Fellow.

Podstawa i czajnik Stagg EKG Pro nie są zgodne z podstawą lub czajnikami następujących produktów: Stagg EKG, Stagg EKG+, Corvo EKG, lub Stagg Pour-Over Kettle.

## **WAŻNE ŚRODKI BEZPIECZEŃSTWA** (NIEPRZERWANY)

- Nie należy stosować dłuższego, odłączanego przewodu zasilającego lub przedłużacza.
- Przed napełnieniem czajnika należy zdjąć go z podstawy. Należy usunąć całą wilgoć z podstawy czajnika przed ponownym postawieniem na podstawie zasilającej.
- Czajnik należy użytkować na płaskiej powierzchni z dala od krawędzi blatu, aby zapobiec przypadkowemu przewróceniu się.
- Nigdy nie należy przesuwac czajnika razem z jego podstawą zasilającą, gdy urządzenie jest w użyciu.
- Aby uniknąć oparzeń i ryzyka obrażeń ciała, należy zachować szczególną ostrożność podczas przenoszenia czajnika z gorącą wodą.
- Nie należy używać czajnika, mając mokre ręce.
- Przed włączeniem, należy prawidłowo ustawić czajnik na podstawie zasilającej.
- Czajnik należy używać tylko z dostarczoną podstawą zasilającą. Nie należy używać żadnego innego czajnika na dostarczonej podstawie zasilającej, ani żadnej innej podstawy zasilającej z dostarczonym czajnikiem. Stosować wyłącznie oryginalny zestaw.
- Po użyciu czajnika należy poczekać, aż czajnik ostygnie przed zdjęciem pokrywy.
- Aby uniknąć możliwych uszkodzeń spowodowanych działaniem pary wodnej, podczas użytkowania należy skierować wylewkę z dala od ścian lub szafek.
- Po nagraniu czajnika należy użyć podkładki ochronnej pod czajnik, aby zapobiec uszkodzeniu powierzchni.
- Aby zmniejszyć ryzyko pożaru lub porażenia prądem elektrycznym, nie należy zdejmować dolnej pokrywy z podstawy, demontować podstawy zasilającej lub czajnika w żaden sposób. Wewnątrz nie ma części, które mogą zostać naprawione przez użytkownika. Naprawa

powinna być przeprowadzana wyłącznie przez autoryzowany personel serwisowy. Otwarcie podstawy zasilającej lub czajnika skutkuje utratą gwarancji.

- Nie używać w pobliżu gazów wybuchowych i/lub łatwopalnych.
- Nie używać do celów innych niż przewidziane. To urządzenie jest przeznaczone wyłącznie do użytku domowego i komercyjnego. Użycie urządzenia w sposób niezgodny z jego przeznaczeniem spowoduje utratę gwarancji.

### **WTYCZKA Z UZIEMIENIEM**

To urządzenie posiada trójstykową wtyczkę z uziemieniem i podczas użytkowania musi być uziemione trójstykowym gniazdem sieciowym. Aby uniknąć ryzyka porażenia prądem elektrycznym lub pożaru, należy podłączać urządzenie wyłącznie do prawidłowo uziemionych gniazdek. Nie należy demontować tego zabezpieczenia.

### **NIE NAGRZEWAĆ PUSTEGO CZAJNIKA**

Ukryty element grzejny w dnie czajnika jest chroniony przez automatyczny mechanizm bezpieczeństwa. Jeśli czajnik zostanie przypadkowo uruchomiony bez napełnienia wodą lub będzie działał tak długo, aż gotująca się woda wyparuje, wówczas automatycznie ostygnie, a następnie wyłączy się. Jeśli tak się stanie, odłącz czajnik, napełnij go zimną wodą i odczekaj kilka minut przed ponownym postawieniem na podstawie zasilającej i podłączeniem.

**NALEŻY  
ZACHOWAĆ  
TE INSTRUKCJE**

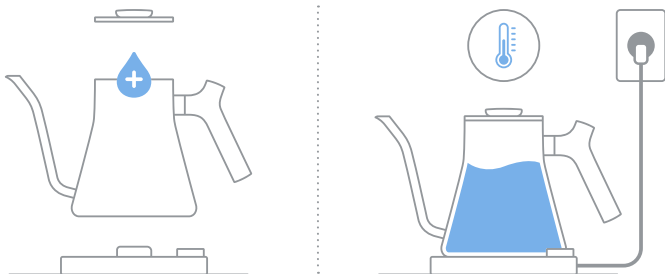


# PIERWSZEGO UŻYCIA

## CZYSZCZENIE – PIERWSZE UŻYCIE

1. Umieść podstawę i czajnik Stagg EKG na płaskiej, równej powierzchni.
2. Zdejmij czajnik z podstawy i zdejmij pokrywkę, aby dolać wody.  
(Nie zdejmuj pokrywki, jeśli jest gorąca).
3. Przepłucz wnętrze czajnika, a następnie dodaj wody do czajnika mniej więcej do połowy jego pojemności (pomiędzy punktem minimalnego napełnienia a punktem maksymalnego napełnienia na schemacie B).
4. Po dolaniu wody załóż pokrywę czajnika i upewnij się, że dzióbek nie znajduje się blisko ściany lub szafki ani nie jest skierowany w ich stronę.
5. Postępując zgodnie z zasadami bezpieczeństwa, podłącz przewód zasilający do gniazdka elektrycznego.
6. Ustaw temperaturę docelową (patrz tabela wysokości nad poziomem morza), aby zagotować wodę
7. Po osiągnięciu temperatury docelowej (patrz tabela wysokości nad poziomem morza), kontynuuj gotowanie wody przez około minutę. Wyłącz czajnik szybkim naciśnięciem pokrętki. Ekran LCD stanie się czarny.
8. Wylej zagotowaną wodę; tej wody nie należy spożywać. EKG Stagg jest teraz gotowy do użycia.

### Schemat C: Pierwszego użycia



## CZYSZCZENIE

Przed czyszczeniem upewnij się, że podstawa jest odłączona od zasilania, a czajnik całkowicie ostygł. Opróżnij czajnik z pozostałej wody.

**PRZESTROGA: Nigdy nie zanurzaj czajnika w wodzie lub innych płynach. Może to spowodować trwałe uszkodzenie czajnika.**

Nie wkładaj żadnych części czajnika do zmywarki.

Przetrzyj zewnętrzną część czajnika i podstawę wilgotną ściereczką lub gąbką, a następnie wysusz. Nie używaj mydeł ściernych, środków czyszczących ani szorujących na żadnej części czajnika, ponieważ mogą one uszkodzić jego wykończenie.

Z czasem czajnik może stracić zdolność do osiągnięcia temperatury wrzenia. Może to być spowodowane osadzeniem się kamienia i osadów mineralnych, które mogą gromadzić się wewnątrz czajnika, w zależności od sposobu użytkowania i twardości wody w danym miejscu. Jeśli tak się stanie, użyj środka do usuwania kamienia/kamienia, postępując zgodnie z zaleceniami producenta środka.

## PRZECHOWYWANIE

Przed przechowywaniem wyczyść i wysusz wszystkie części. Przechowuj czajnik w opakowaniu lub w czystym, suchym miejscu.

Nigdy nie owijaj przewodu zasilającego wokół czajnika.

## INSTRUKCJA OBSŁUGI

Przed włączeniem i użytkowaniem czajnika prosimy o dokładne zapoznanie się z instrukcją obsługi.

### PODŁĄCZENIE STAGG EKG PRO DO WIFI

**DO POŁĄCZENIA WYMAGANA JEST APLIKACJA FELLOW. STAGG EKG PRO NIE ŁĄCZY SIĘ AUTOMATYCZNIE Z WIFI.**

1. Pobierz aplikację Fellow do używanego telefonu pod adresem [Fellowproducts.com/app](https://fellowproducts.com/app).

2. Upewnij się, że Stagg EKG Pro jest podłączony do gniazda zasilania.
3. Upewnij się, że Stagg EKG Pro znajduje się w obszarze o dobrym zasięgu WiFi.
4. Uzyskaj informację o nazwie swojej sieci Wi-Fi i hasło do sieci Wi-Fi.
5. Otwórz aplikację Fellow i w celu połączenia wykonaj instrukcje z aplikacji.
6. Stąd można sterować Stagg EKG Pro z poziomu aplikacji.
7. Aby uzyskać więcej informacji lub rozwiązać problemy z połączeniem Wi-Fi, przejdź pod adres [Fellowproducts.com/staggekgpromanual](https://fellowproducts.com/staggekgpromanual).

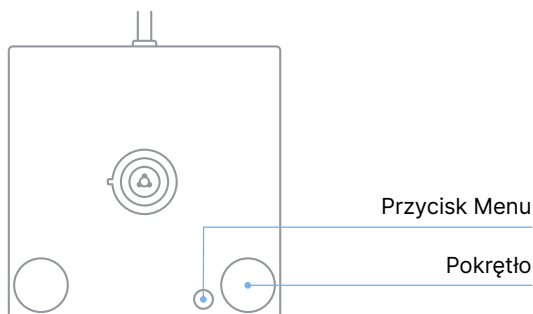
### WŁĄCZANIE/WYŁĄCZANIE CZAJNIKA

Aby włączyć czajnik Stagg EKG, należy nacisnąć przycisk pokrętki i poczekać, aż zaświeci się ekran LCD. W celu wyłączenia czajnika Stagg EKG należy nacisnąć przycisk pokrętki i poczekać, aż ekran LCD zmieni kolor na czarny.

### USTAW TEMPERATURĘ DOCELOWĄ

Na ekranie głównym, kiedy Stagg EKG jest włączony, obróć pokrętkę, aby zmienić temperaturę docelową. Obróć pokrętkę w prawo, aby zwiększyć temperaturę docelową. Obróć pokrętkę w lewo, aby zmniejszyć temperaturę docelową.

**Schemat D:**  
**WŁ./WYŁ.,**  
**Dostęp do menu**



Po osiągnięciu żądanej temperatury przestań obracać pokrętkę. Stagg EKG przez chwilę wyświetli ustawioną temperaturę, a następnie rozpocznie podgrzewanie do żądanej temperatury. Jeśli czajnik zostanie zdjęty i odłożony z powrotem na podstawę, od razu zacznie podgrzewać do temperatury docelowej.

**WAŻNE:** Jeśli włączona jest funkcja Pre-Boil, czajnik będzie najpierw podgrzewany do wrzenia, a następnie schładzany do temperatury docelowej.

### DOSTĘP DO MENU

Stagg EKG Pro jest wyposażony w wiele narzędzi do parzenia. Aby przejść do menu:

1. Naciśnij pokrętkę, aby włączyć czajnik i rozpocząć podgrzewanie wody. Zaświeci się ekran LCD.
2. Naciśnij przycisk menu, aby przejść do menu głównego.
3. W menu głównym, obróć pokrętkę w prawo lub w lewo, aby poruszać się między dostępnymi opcjami menu. Naciśnij pokrętkę, aby wprowadzić lub zatwierdzić wybór.
4. Naciśnij przycisk menu, aby wyjść z menu.
5. Naciśnij pokrętkę, aby wyłączyć czajnik. Spowoduje to wyłączenie ekranu LCD.

Aby uzyskać więcej szczegółowych informacji o menu, odwiedź stronę [Fellowproducts.com/staggekgpromanual](https://fellowproducts.com/staggekgpromanual) lub zeskanuj ten kod QR.





## STOSOWANIE NA DUŻYCH WYSOKOŚCIACH

**PRZESTROGA:** Na większych wysokościach woda wrze w niższej temperaturze (patrz tabela wysokości nad poziomem morza poniżej). Jeżeli ustawiona temperatura jest wyższa niż temperatura wrzenia wody na danej wysokości, Stagg EKG będzie kontynuował dostarczanie ciepła, próbując osiągnąć temperaturę docelową. Powoduje to nadmierne zużycie energii i grozi potencjalnym uszkodzeniem czajnika.

Korzystając z ustawienia wysokości, Stagg EKG określi maksymalną dopuszczalną temperaturę docelową na podstawie wprowadzonej przez użytkownika wysokości, aby ograniczyć straty energii i ryzyko uszkodzenia czajnika.

**TABELA WRZENIA WODY NA RÓŻNYCH WYSOKOŚCIACH**

Wysokość	Punkt wrzenia wody
0 m	100°C
150 m	99.5°C
305 m	99°C
610 m	98°C
1524 m	95°C
1829 m	94°C
2438 m	91.9°C
3048 m	89.8°C
3658 m	87.6°C
4267 m	85.5°C

## SERWIS

Aby uzyskać informacje na temat serwisu, naprawy lub wszelkich pytań dotyczących urządzenia, prosimy najpierw odwiedzić stronę **Fellowproducts.com/EKGmanual**. Jeśli nadal mają Państwo pytania, prosimy o kontakt z nami pod adresem **help.fellowproducts.com**.

Prosimy NIE wysłać produktu do producenta ani nie przynosić go do centrum serwisowego bez uprzedniej rozmowy z przedstawicielem działu obsługi klienta.

### 2-LETNIA OGRANICZONA GWARANCJA

Firma Fellow gwarantuje, że ten produkt będzie wolny od wszelkich wad, wynikających z wadliwego materiału lub wykonania, przez okres dwóch lat od daty zakupu przez klienta.

#### Niniejsza gwarancja jest ważna:

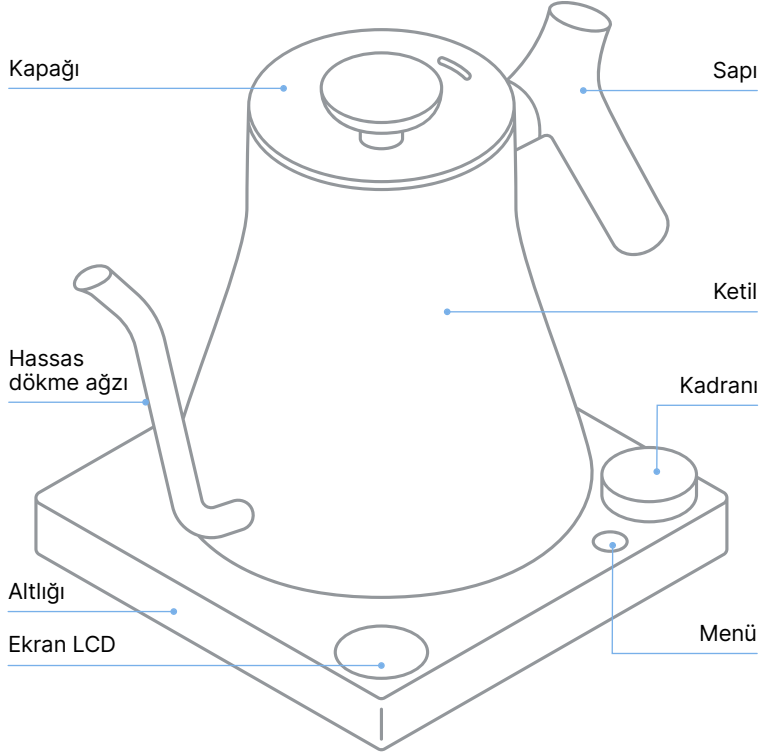
- Gdy reklamacji dokonuje klient
- Jeśli czajnik został kupiony w autoryzowanym punkcie sprzedaży.
- Z oryginalnym paragonem sprzedaży na dowód zakupu w celu zgłoszenia reklamacji gwarancyjnej.

#### Niniejsza gwarancja nie obejmuje uszkodzeń produktu, powstałych w wyniku:

- Wypadku, niewłaściwego użytkowania lub napraw dokonywanych przez osoby nieupoważnione.
- Użytkowania, stosując niewłaściwy rodzaj prądu lub napięcia.
- Nieprzestrzegania zaleceń dotyczących czyszczenia zarówno czajnika, jak i samych środków czyszczących/odkamieniających.
- Niezastosowania się do zaleceń dotyczących środków bezpieczeństwa określonych w ostrzeżeniach i instrukcjach zawartych w niniejszym dokumencie.

Jeśli produkt ulegnie uszkodzeniu w czasie trwania gwarancji lub masz jakiegokolwiek pytania dotyczące gwarancji lub serwisu, napisz do nas na adres **hello@fellowproducts.com**.

Şema A:  
Ürüne Genel Bakış



# STAGG EKG PRO

Fellow Industries Inc.  
Fellowproducts.com  
E-mail: [hello@fellowproducts.com](mailto:hello@fellowproducts.com)  
San Francisco, CA 94110

**Ürün Adı:** Stagg EKG Pro Elektrikli Pour-Over Su Isıtıcısı  
Patentler ve Bekleyen Patentler: [fellowproducts.com/pages/patents](http://fellowproducts.com/pages/patents)  
2-Yıllık Sınırlı Garanti | San Francisco'da Tasarlanmıştır ve Çin'de Üretilmiştir

MODEL	ÖZELLİKLER
EP20AAEU	220V-240V   50Hz   1200W-1428W <b>Ağırlık:</b> 1250 g (su ısıtıcısı altlığı dâhil) <b>Boyutlar (UxGxY):</b> 282 mm x 172 mm x 196 mm <b>Kapasite:</b> 0,9 L



Ayrıştırılmamış atık olarak atmayın. Geri kazanım ve geri dönüşüm için ayrı toplama tesislerine gönderilecektir.

**SADECE EVDE KULLANIM İÇİNDİR**

Daha fazla bilgi, [Fellowproducts.com/EKGmanual](http://Fellowproducts.com/EKGmanual) adresindedir

## BÜTÜN TALİMATLARI OKUYUN. BU GÜVENLİK KILAVUZUNU ATMAYIN.

### UYARI!

**Şok Tehlikesi:** Bu cihazın topraklanmış, üç uçlu fişe sahiptir. Elektrik şoku veya yangın riskine karşı korunmak için, yalnızca uygun topraklanmış prizlere takın. Fiş prize yalnızca tek yönlü olarak uyar. Fişi herhangi bir şekilde değiştirerek veya bir adaptör kullanarak güvenlik korumasını iptal etmeyin. Bu cihazı altında belirtilen voltajın dışındaki bir prize takmayın.

Bu cihazı bir adaptörle birlikte kullanmayın.

Daha uzun bir kabloya dolanma veya takılma riskini azaltmak için kısa bir güç kaynağı kablosu sağlanmış. Elektrik devresinin aşırı yüklenmesini önlemek için, bu cihazla aynı devrede yüksek vat çeken herhangi bir cihaz kullanmayın.

## ÖNEMLİ GÜVENLİK TEDBİRLERİ

**Kullanmadan önce lütfen güvenlik uyarılarını dikkatlice okuyun ve su ısıtıcınızı bu uyarılara uygun olarak kullanın. Bu güvenlik uyarıları, ürünün güvenli ve uygun şekilde kullanımı için ve hem kullanıcının ve başka kişilerin tehlikelerle karşı karşıya kalmalarını hem de mala zarar gelmesini önlemek için belirtilmiştir.**

**Elektrikli aletleri kullanırken, aşağıda belirtilenler de dâhil, her zaman ana güvenlik önlemlerine uyulması gerekir:**

- Stagg EKG'nin elektrikli altlığı küçüktür ve su ısıtıcısının gövdesi de şaşırtıcı bir biçimde ocak üstü su ısıtıcılarına benzer, ancak şüphesiz ki aynı değildirler. Bu alet, ocak üstünde KULLANILMAYAN elektrikli bir su ısıtıcısıdır.
- Sıcak bir gazlı ocağın veya elektrikli ocağın üstüne ya da yanına, ısıtılmış bir fırının içine veya mikrodalga fırına koymayın.

- Ürünün sıcak yüzeylerine dokunmayın. Her zaman sapı kullanın.
- Yangına, elektrik çarpmasına ve kişilere zarar vermesine karşı korunmak için, su ısıtıcısının kablosunu, fişini ya da herhangi başka bir parçasını su veya diğer sıvıların içine sokmayın.
- Stagg EKG'nin hiçbir parçası bulaşık makinesinde yıkanmamalıdır. Stagg EKG'yi veya herhangi bir Stagg EKG parçasını bulaşık makinesine koymayın.
- Stagg EKG 'i kullanım esnasında asla (HOLD modu da dâhil) gözetimsiz bırakmayın.
- Herhangi bir elektrikli alet çocuklar tarafından ya da onların yanında kullanılırken yakın gözetim ve denetim gereklidir. Çocukların ulaşabileceği yerlerde kullanmayın.
- Bu alet, kısıtlı fiziksel, duyuşal ya da zihinsel yeteneklere sahip kişiler (çocuklar dâhil) veya tecrübesiz ve bilgisiz kişiler tarafından kullanılmak için tasarlanmamıştır.
- Bu alet ile oynamadıklarına emin olmak için çocukların gözetim altında tutulması gerekmektedir.
- Kullanılmadığı zamanlarda ve temizlemeden önce, prizden çıkarın.
- Parçalarını koymadan ya da çıkarmadan önce ve aleti temizlemeden önce soğumasını bekleyin.
- Güç kaynağından ayırmak için, "OFF" konumuna geçmesi için ana düğmeye basın ve ardından fişi prizden çıkarın. Kabloya zarar verebileceği ve zamanla elektrik çarpmasına yol açabileceğinden, kablodan tutarak çekmeyin.
- Su ısıtıcısı arızalı ya da ürün herhangi bir şekilde zarar görmüş ise veya kablosu veya fişi hasara uğramış ise Stagg EKG'yi çalıştırmayın. Cihazı inceleme, onarım veya ayarlama için en yakın yetkili servis tesisine götürün.
- Ana gerilim voltajının su ısıtıcısının alt kısmında işaretli olanla- 120 V- aynı olduğundan emin olun.
- Elektriksel bir aşırı yüklemeyi önlemek için aynı elektrik devresi üzerinde yüksek elektrik gücüne sahip bir başka cihazı çalıştırmayın.

# ÖNEMLİ GÜVENLİK TEDBİRLERİ (DEVAM)

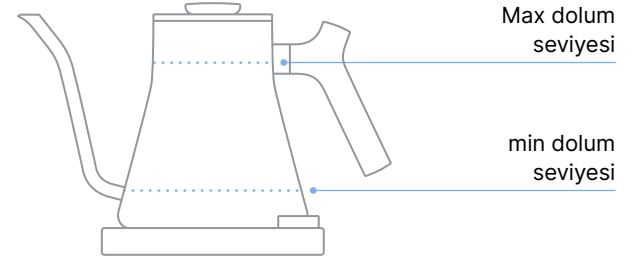
- Yangın, elektrik çarpması ya da fiziksel yaralanma ile sonuçlanabileceğinden Fellow, ürünün aksesuar eklentileri ile kullanımını önermemektedir.
- Açık havada kullanmayın.
- Su ısıtıcısının içine herhangi bir mutfak eşyası yerleştirmeyin.
- Stagg EKG'yi paketinden çıkardıktan sonra, plastik torbalarını dikkatli bir şekilde ortadan kaldırın, böylece çocuklar ve başkaları onlara ulaşamazlar.
- Kablonun masa ya da tezgâhın üzerinden sarkmasına ya da sıcak yüzeylerle temas etmesine izin vermeyin. Uzatma kablosu kullanmayın.
- Doldurmadan önce su ısıtıcısını güç kaynağı altlığından çıkarın. Su ısıtıcısını güç kaynağı altlığın üstüne yerleştirmeden önce, tabanındaki ıslaklığı silin.
- Su ısıtıcısı düz bir yüzeyin üstünde ve kazayla düşmesini önlemek için tezgâh kenarının uzağında çalıştırılmalıdır.
- Alet çalışırken, su ısıtıcısını ve su ısıtıcısı altlığını asla birlikte hareket ettirmeyin.

## BUHAR YANIĞINI ÖNLEMEK İÇİN:

- Su ısıtıcısını kapağı olmadan asla kullanmayın.
- Su ısıtıcısında su kaynarken kapağını kaldırmayın.
- Kapak demlenme döngüleri esnasında kaldırılırsa, buhar yanığı meydana gelebilir.
- Özellikle yeniden doldurma esnasında, buharın ağızdan veya kapaktan yayıldığını unutmayın.
- Su, kaynamadan sonra uzun bir süre sıcak kalabilir ve buhar yanığı tehlikesi oluşturabilir. Su ısıtıcısını ve su ısıtıcısı altlığını çalışma yüzeyinin kenarlarından ve çocukların ulaşabilecekleri yerlerden uzak tutun. Su ısıtıcısı soğuyana kadar kapağını çıkarmayın.

**UYARI! Aşağıdaki şemada gösterilen 'max' dolum seviyesinden fazla su doldurmayın.** Eğer su ısıtıcısı fazla su ile doldurulursa, sıcak su dışarı taşabilir. Referans için aşağıdaki B şemasına göz atın. Su ve enerjiden tasarruf sağlamak için yalnızca gerekli miktarı kullanmanızı öneririz.

## Şema B: Dolum seviyeleri



**UYARI! Boşken ya da 'min' dolum seviyesinin altındayken çalıştırmayın.** Stagg EKG'nin çalışması için minimum 333 ml/11 fl oz su bulunmalıdır. Su ısıtıcısı boşken kaynatma, kalıcı hasar ve potansiyel bir yangın ile sonuçlanabilir. 'Min' dolum seviyesi, su ısıtıcısının tabanının 2,5 cm yukarıdır. Referans için yukarıdaki B şemasını inceleyin.

- Yanmaları ve fiziksel yaralanma riskini önlemek için, sıcak su içeren su ısıtıcısını taşıırken son derece dikkatli olun.
- Su ısıtıcısını elleriniz ıslakken kullanmayın.
- Çalıştırmadan önce su ısıtıcısını uygun bir şekilde güç kaynağı altlığın üzerine yerleştirin.
- Su ısıtıcısını sadece teslim edilmiş olan güç kaynağı altlığı ile beraber kullanın. Teslim edilmiş altlık ile başka bir su ısıtıcısını ya da teslim edilmiş su ısıtıcısı ile başka bir altlığı kullanmayın. Yalnızca orijinal, teslim edilmiş çifti beraber kullanın.
- Su ısıtıcısını kullandıktan sonra, kapağı çıkarmadan önce su ısıtıcısı soğuyana kadar bekleyin.
- Buhar kaynaklı hasarları önlemek için kullanım esnasında ağızlığı duvarlardan ve dolaplardan başka tarafa çevirin.
- Isıtıldıktan sonra Ketil gövdesini masa yüzeyine koyuyorsanız, yüzeye hasar vermemesi için altına koruyucu bir altlık koyun.
- Yangın veya elektrik çarpması riskini azaltmak için, alt kapağı altlıktan sökmeyin ya da altlığı veya su ısıtıcısını herhangi bir şekilde demonte etmeyin. İçinde kullanıcının müdahale edebileceği herhangi bir parça bulunmamaktadır. Tamirati yalnızca yetkili servis personelleri tarafından yapılmalıdır. Altlığı ya da su ısıtıcısını açmak, garantisinin geçersiz kılınması ile sonuçlanacaktır.
- Patlayıcı ve/veya yanıcı dumanların varlığında çalıştırmayın.
- Kullanım amacı dışında başka amaçlar için kullanmayın. Bu alet yalnızca evde kullanım ve ticari kullanım içindir. Aleti kullanım amacı dışında kullanmak, garantiyi geçersiz kılacaktır.

### TOPRAKLI FİŞ

Bu alet, topraklı, üç uçlu bir fişe sahiptir ve kullanılırken üç uçlu bir priz ile topraklanmalıdır. Elektrik çarpması veya yangın riskine karşı korunmayı garanti altına almak için, yalnızca uygun bir şekilde topraklanmış prizlere takın. Bu güvenlik özelliğini lütfen göz ardı etmeyin.

### ÖNEMLİ!

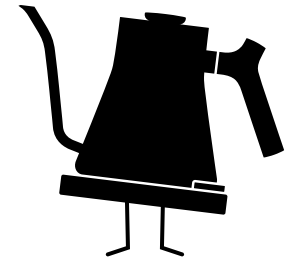
Ketili yalnızca Fellow tarafından verilen ketil altlığıyla birlikte kullanın. Fellow tarafından özellikle verilmedikçe ve önerilmedikçe verilen altlıkla birlikte başka bir ketil kullanmayın veya verilen ketilla birlikte başka bir altlık kullanmayın.

Stagg EKG altlığı ve ketil aşağıdaki ürünlerin altlığı veya ketillarıyla uyumlu değildir. Corvo EKG Pro, Corvo EKG Pro Studio, Stagg EKG Pro, Stagg EKG Pro Studio, veya Stagg Gooseneck Ketil.

### SU ISITICISINI BOŞKEN ÇALIŞTIRMAYIN

Su ısıtıcısının altında bulunan gizli ısıtma ögesi, otomatik bir emniyet mekanizması tarafından korunur. Su ısıtıcınız kazara doldurulmadan ya da boşken çalıştırıldığında, otomatik olarak soğutulacak ve ardından kapanacaktır. Eğer bu durum meydana gelirse, su ısıtıcısının fişini çıkarın, içine soğuk su doldurun ve tekrar altlığına yerleştirmeden ve fişini takmadan önce birkaç dakika bekleyin.

BU TALIMATLARI  
SAKLAYIN

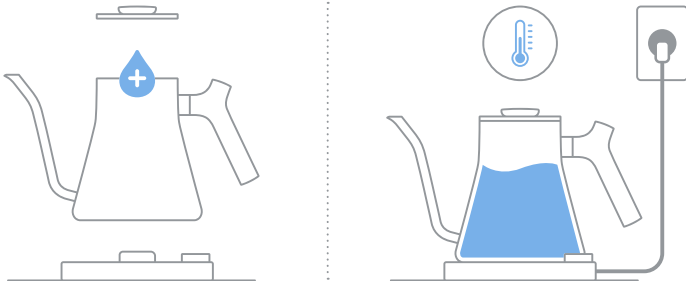


# İLK KULLANIM TALIMATLARI

## İLK KULLANIM ÖNCESİ TEMİZLİK

1. Stagg EKG'nin altlığını ve su ısıtıcısını düz bir yüzeyin üstüne koyun.
2. Ketili altlığından ayırın ve su eklemek için kapağı çıkarın. (Eğer sıcak ise kapağını kaldırmayın.)
3. Ketilin içini durulayın, ardından yaklaşık olarak yarıya kadar su doldurun (Şema B'deki Minimum Doldurma Noktası ve Maksimum Doldurma Noktası arasında).
4. Su ekledikten sonra, kapağı yerleştirin ve ağızının bir duvara ya da dolaba yakın ve/veya yüzü dönük şekilde olmadığına emin olun.
5. Güvenlik talimatlarına uyararak, elektrik fişini bir duvar prizine takın.
6. Suyu kaynatmak için Hedef sıcaklığı ayarlayın (Yüksek Rakım Şemasına bakın).
7. Hedef sıcaklığa ulaşıldığında (Yüksek Rakım Şemasına bakın), yaklaşık olarak bir dakika daha suyu kaynatmaya devam edin. Kadrana kısa süreli basarak ketili kapatın. LCD ekran kararacaktır.
8. Başlangıçta kaynatmış olduğunuz suyu dökün; bu su tüketilmemelidir. Stagg EKG'niz kullanıma hazır.

### Şema C: İlk kullanım



## TEMİZLEME

Temizlemeden önce, altlığın fişinin çekildiğinden ve ketilin tamamen soğuduğundan emin olun. Ketilde kalan suyu boşaltın.

**UYARI: Ketili suya veya başka sıvılara daldırmayın. Bu ketili kalıcı olarak hasar verebilir.**

Ketilin herhangi bir parçasını bulaşık makinesine koymayın.

Ketilin dışını ve altlığını ıslak bir bez veya süngerle silin ve ardından kurulayın. Ketilin cilasına hasar verebileceği için ketilin herhangi bir parçasında aşındırıcı sabunlar, temizleyiciler veya ovucu pedlerler kullanmayın.

Zamanla, ketil kaynama sıcaklığına ulaşma özelliğini yitirebilir. Bu kullanımınıza ve bölgenizdeki suyun sertliğine bağlı olarak ketil içinde biriken tortu ve mineral oluşumu nedeniyle gerçekleşebilir. Bu durumla karşılaştığınızda, tortu/kireç gidericisi üreticisinin talimatları doğrultusunda tortu/kireç gidericisi kullanın.

## SAKLAMA

Saklamadan önce tüm parçaları temizleyin ve kurutun. Ketili kutusunda veya temiz, kuru bir yerde saklayın.

Asla elektrik fişini ketilin çevresine sarmayın.

## KULLANIM TALIMATLARI

Su ısıtıcınızı çalıştırmadan ve kullanmadan önce lütfen tüm talimatları okuyun.

### STAGG EKG PRO'YU WİFİ'YE BAĞLAYIN

**BAĞLANTI İÇİN FELLOW UYGULAMASI GEREKLİDİR. STAGG EKG PRO, WİFİ'YE OTOMATİK OLARAK BAĞLANMAZ.**

1. Fellow uygulamasını [Fellowproducts.com/app](https://www.fellowproducts.com/app) adresinden telefonunuza indirin.
2. Stagg EKG Pro'nun prize takılı olduğundan emin olun.
3. Stagg EKG Pro'nun, WiFi kapsamının iyi olduğu bir alanda olduğundan emin olun.
4. WiFi ağ adınızı ve WiFi ağ şifrenizi hazırlayın.
5. Fellow uygulamasını açın ve bağlanmak için uygulamadaki talimatları izleyin.
6. Buradan, Stagg EKG Pro'nuzu uygulamadan kontrol edebilirsiniz.
7. Daha fazla bilgi veya WiFi bağlantınızla ilgili sorunları gidermek için lütfen [Fellowproducts.com/staggkqpromanual](https://www.fellowproducts.com/staggkqpromanual) adresine gidin.

### SU ISITICISINI AÇMA/KAPATMA

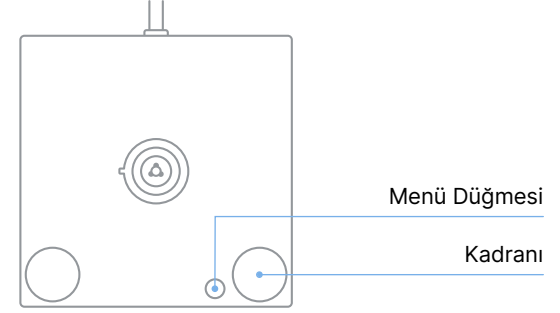
Stagg EKG'yi çalıştırmak için ana düğmeye basın ve LCD ekrandaki ışığın yanmasını bekleyin. Stagg EKG'yi kapatmak için, düğmeye basıp LCD ekranının kararmasını bekleyin.

### İDEAL BİR SICAKLIK BELİRLEYİN

Ana ekrandan Stagg EKG açıldığı zaman, hedef ısıyı değiştirmek için kadranı döndürün. Hedef ısıyı artırmak için kadranı sağa doğru döndürün. Hedef ısıyı azaltmak için kadranı sola doğru döndürün.

İstedığınız ısıya ulaştığınız zaman, kadranı döndürmeyi bırakın. Stagg EKG bir dakika için belirlenen ısıyı gösterecek ve ardından istenilen ısıya kadar ısıtmaya başlayacaktır. Ketil altlıktan kaldırılırsa ve tekrar geri

### Şema D: AÇIK/KAPALI, Menü Erişimi



konursa, ketil hemen belirlenen hedef ısıya kadar ısıtmaya başlayacaktır.

**ÖNEMLİ:** Pre-Boil (Ön Kaynatma) etkinleştirilse ketil, suyu hedef ısıya kadar soğumadan önce kaynama noktasına kadar ısıtacaktır.

### MENÜ ERİŞİMİ

Stagg EKG Pro'da bazı demleme araçları mevcuttur. Menüye girmek için:

1. Su ısıtıcınızı açmak ve suyu ısıtmaya başlamak için kadrana basın. LCD ekran yanar.
2. Ana menüye gitmek için menü düğmesine basın.
3. Ana menüye girdikten sonra, mevcut menü seçenekleri arasında gezinmek için kadranı saat yönünde veya saat yönünün tersi yönde çevirin. Bir seçimi girmek veya onaylamak için kadrana basın.
4. Menüden çıkmak için menü düğmesine basın.
5. Su ısıtıcınızı kapatmak için kadrana basın. LCD ekran karacaktır.

Menü hakkında daha fazla bilgi görüntülemek için lütfen [Fellowproducts.com/staggkqpromanual](https://www.fellowproducts.com/staggkqpromanual) adresine gidin veya bu QR Kodunu tarayın.



## YÜKSEK RAKIMLARDA KULLANIM

**UYARI:** Su yüksek rakımlarda daha düşük ısıda kaynar (Aşağıdaki Yüksek Rakım Şemasına bakın). Belirlenen ısı ayarlanan rakımda suyun kaynama noktasından daha yüksekse, Stagg EKG Hedef ısıya ulaşmak için suyu ısıtmaya devam edecektir. Bu aşırı enerji kullanımına neden olur ve potansiyel olarak ketıla hasar verebilir.

Stagg EKG Rakım ayarını kullanarak, enerji israfını ortadan kaldırmak ve ketıla zarar vermemek için kullanıcının girdiği yüksekliğe bağlı olarak maksimum izin verilen hedef ısıyı belirleyecektir.

YÜKSEK RAKIM TABLOSU

Rakım	Suyun Kaynama Noktası
0 m	100°C
150 m	99.5°C
305 m	99°C
610 m	98°C
1524 m	95°C
1829 m	94°C
2438 m	91.9°C
3048 m	89.8°C
3658 m	87.6°C
4267 m	85.5°C

## SERVIS VEYA TAMIRAT

Servis, tamirat ya da cihazınız ile ilgili herhangi bir soru için ilk olarak **Fellowproducts.com/EKGmanual** (Fellowproducts.com/EKGkullanimkilavuzu) adresini ziyaret edin. Hala sorularınız varsa, **help.fellowproducts.com** üzerinden bize ulaşın.

Bir Fellow müşteri hizmetleri temsilcisi ile görüşmeden, ürünü üreticiye teslim etmeyin ya da bir servis merkezine götürmeyin.

### BİR YIL SINIRLI GARANTİ

Fellow, bu ürünü kusurlu malzeme ya da işçilik hatası sebebiyle oluşan tüm arızalara karşı, tüketicinin gerçek satın alış tarihinden başlamak üzere bir yıl süreyle garanti altına alır.

### Bu garanti yalnızca:

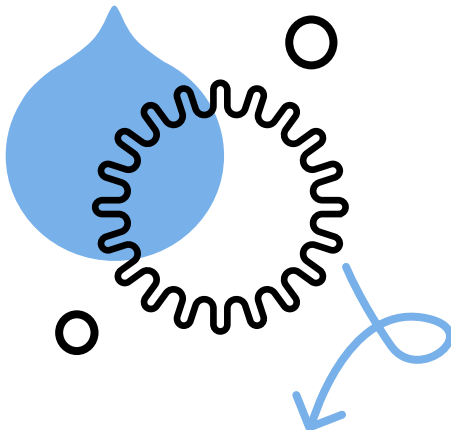
- Gerçek tüketiciler için,
- Su ısıtıcısı yetkili satış bayileri aracılığıyla satın alındığında,
- Garantiyi talep etmeniz için gerekli satın alma kanıtı olan orijinal satış makbuzu ile birlikte geçerlidir.

### Bu garanti:

- Kaza, yanlış kullanım ya da yetkili olmayan kişiler tarafından tamir,
- Yanlış akım ya da voltaj türü ile beraber çalıştırma,
- Hem su ısıtıcısı hem de temizleme/kireç temizleme maddeleri için temizleme talimatlarına uymama,
- Bu belgede yer alan uyarılar ve talimatlarda belirtilen güvenlik önlemlerine uymama sonucu meydana gelen hasarları kapsamaz. Ürün garanti süresi içinde arızalı hale gelirse ya da garanti ve servis hakkında sorularınız varsa, **hello@fellowproducts.com** e-posta adresinden bize ulaşabilirsiniz.

Daha fazla bilgi, **Fellowproducts.com/EKGmanual**





Find more information at:

Pour plus d'informations, consultez :

Más informació en:

Weitere Informationen finden Sie unter

Per ulteriori informazioni, consultare il sito:

Du kan finde flere oplysninger på:

Du finner mer informasjon på:

Więcej informacji:

Katso lisätietoja osoitteesta:

Mer information finns på:

Daha fazla bilgi için şu adresi ziyaret edin:

**[Fellowproducts.com/staggekgpromanual](https://www.fellowproducts.com/staggekgpromanual)**

**Unisys Handel GmbH**

**Hammer Land Str**

**Nordrhein-Westfalen**

**41460 Neuss**

**Germany**

789-00074 A